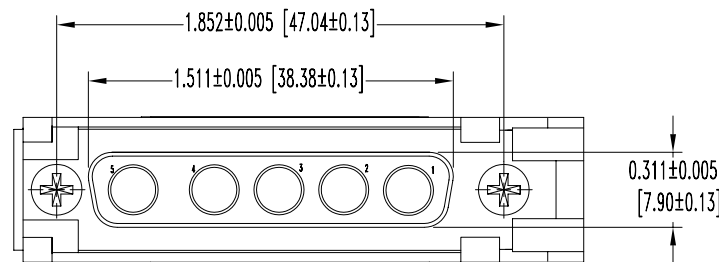
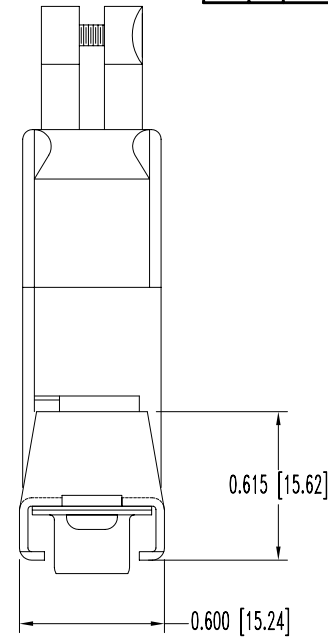
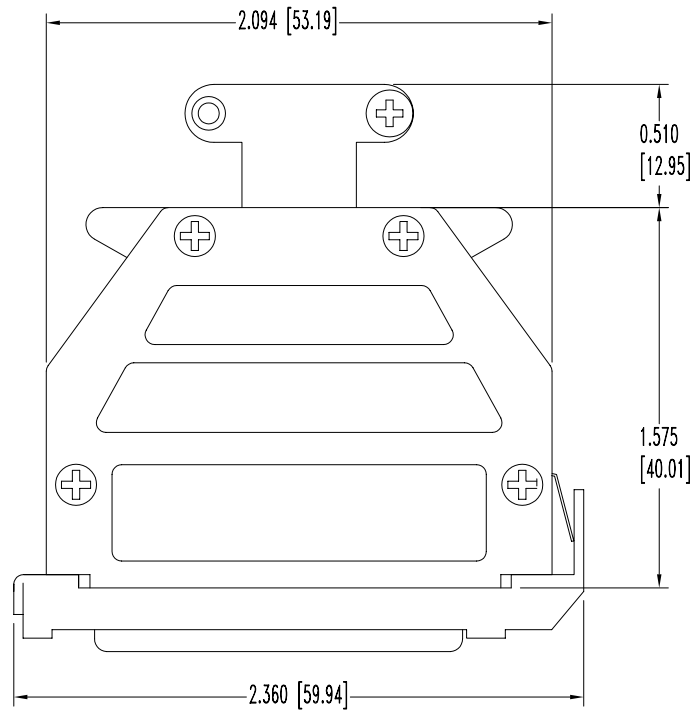


SK8648

POSITRONIC INDUSTRIES BELIEVES THE DATA ON THIS DRAWING TO BE RELIABLE. SINCE THE TECHNICAL INFORMATION IS GIVEN FREE OF CHARGE, THE USER EMPLOYS SUCH INFORMATION AT HIS OWN DISCRETION AND RISK. POSITRONIC INDUSTRIES ASSUMES NO RESPONSIBILITY FOR RESULTS OBTAINED OR DAMAGES INCURRED FROM USE OF SUCH INFORMATION IN WHOLE OR IN PART.

| DATE | REV | REVISION RECORD | APP | DR | CK |
|---------|-----|-----------------|-----|----|----|
| 6-18-07 | NC | ECO 28041 | | YK | |
| | | | | | |
| | | | | | |



- NOTES:
- MATERIALS AND FINISHES:
 INSULATOR: GLASS FILLED POLYESTER PER MIL-M-24519 UL94V-0, BLUE COLOR.
 SHELLS: STEEL WITH TIN PLATE.
 HOOD AND COVER: ZINC, DIE CAST.
 CABLE CLAMPS: ZINC, DIE CAST.
 LOCK LEVER: STEEL WITH NICKEL PLATE.
 MOUNTING SCREWS: STEEL, ZINC PLATE WITH CHROMATE SEAL.
 CABLE CLAMP AND COVER SCREWS: STEEL, NICKEL PLATE.
 - ELECTRICAL CHARACTERISTICS:
 INSULATOR RESISTANCE: 5 G OHMS.
 WORKING VOLTAGE: 300 V r.m.s.
 - TEMPERATURE RANGE: -55°C TO +125°C.
 - DIMENSIONS ARE IN INCHES [MILLIMETERS].

| | | | |
|--------------------------------|--|--------------------------|-----------------|
| | POSITRONIC INDUSTRIES INC. www.connectpositronic.com | | FSCM 28198 |
| | DECIMAL TOL. ± 0.015 [0.38] | CBD SERIES | SCALE N.T.S. |
| ANGULAR TOL. ± 5° | DATE 6-18-07 | DRAWING NUMBER SK8648 | REV. NC |
| TITLE CBD5W5F00GV LX | | | |