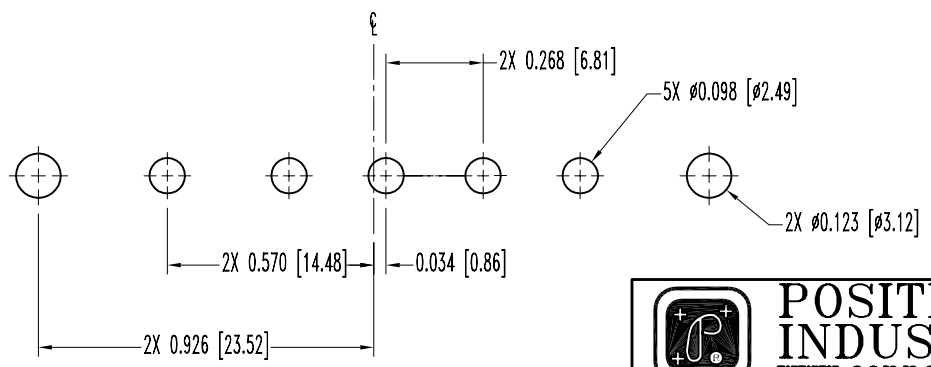
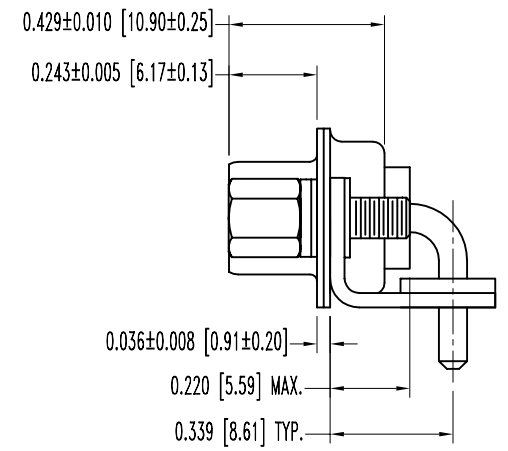
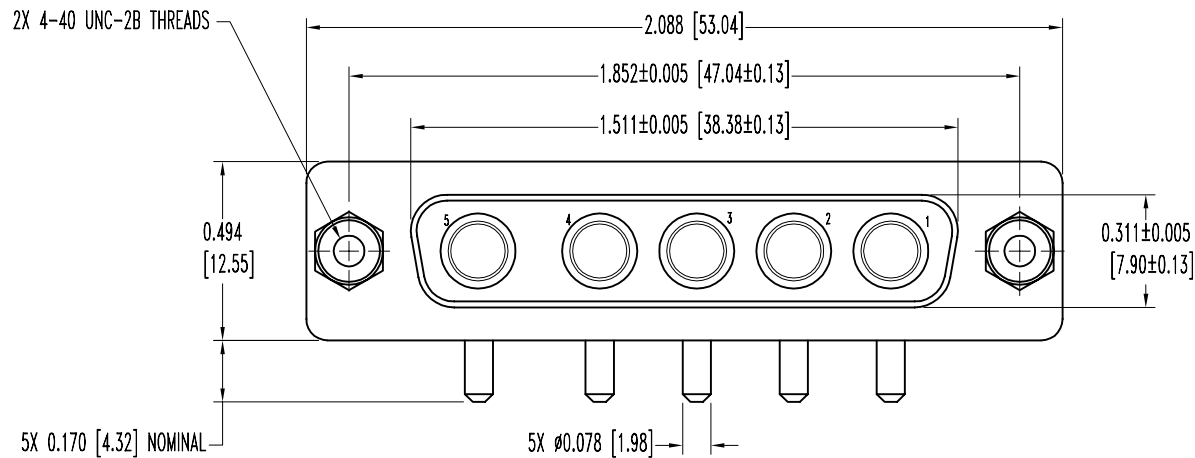
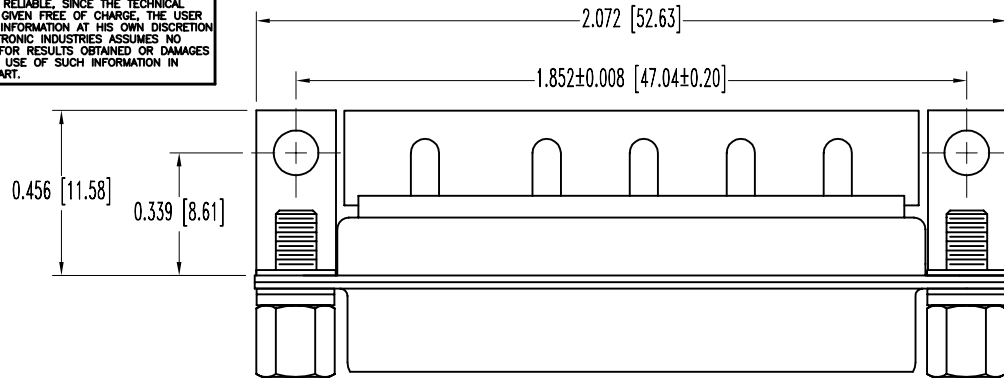


SK3910

POSITRONIC INDUSTRIES BELIEVES THE DATA ON THIS DRAWING TO BE RELIABLE. SINCE THE TECHNICAL INFORMATION IS GIVEN FREE OF CHARGE, THE USER EMPLOYS SUCH INFORMATION AT HIS OWN DISCRETION AND RISK. POSITRONIC INDUSTRIES ASSUMES NO RESPONSIBILITY FOR RESULTS OBTAINED OR DAMAGES INCURRED FROM USE OF SUCH INFORMATION IN WHOLE OR IN PART.

DATE	REV	REVISION RECORD	APP	DR	CK
9-5-01	NC	ECO 18269		ME	



NOTES:

- MATERIALS AND FINISHES:
 INSULATOR: GLASS FILLED POLYESTER PER MIL-M-24519, UL 94V-0, COLOR: BLUE.
 SHELLS: STEEL, ZINC PLATED WITH DICHROMATE SEAL.
 POWER CONTACTS: COPPER ALLOY, GOLD FLASH OVER NICKEL.
 MOUNTING BRACKETS: BRASS, ZINC PLATE WITH DICHROMATE SEAL.
- ELECTRICAL CHARACTERISTICS:
 CONTACT CURRENT RATING: 15 AMPERES NOMINAL.
 INITIAL CONTACT RESISTANCE: 0.005 OHMS MAXIMUM.
 INSULATOR RESISTANCE: 5 G OHMS.
 WORKING TEMPERATURE: -55°C TO +125°C.
- DIMENSIONS ARE IN INCHES [MILLIMETERS].

CONTACT HOLE PATTERN

 POSITRONIC INDUSTRIES INC. www.connectpositronic.com		SCALE N.T.S.	DRAWN BY M. ENEA
DECIMAL TOL. ± 0.015 [0.38]	CBD SERIES		APPROVED BY
WF # 3966	TITLE CBD5W5F55R70T20		
ANGULAR TOL. ± 5°	DATE 9-5-01	DRAWING NUMBER SK3910	REV. NC