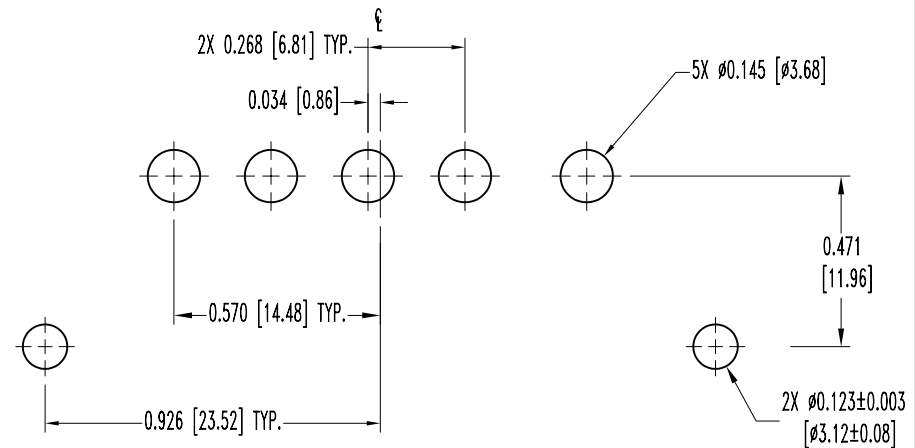
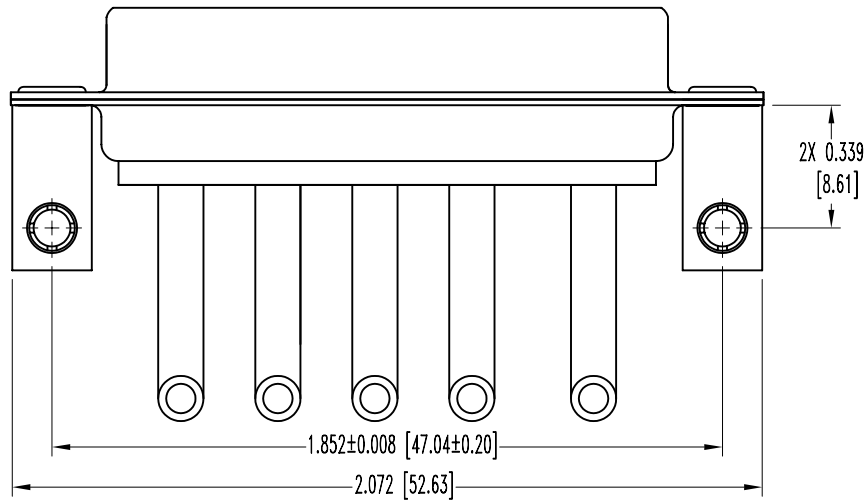
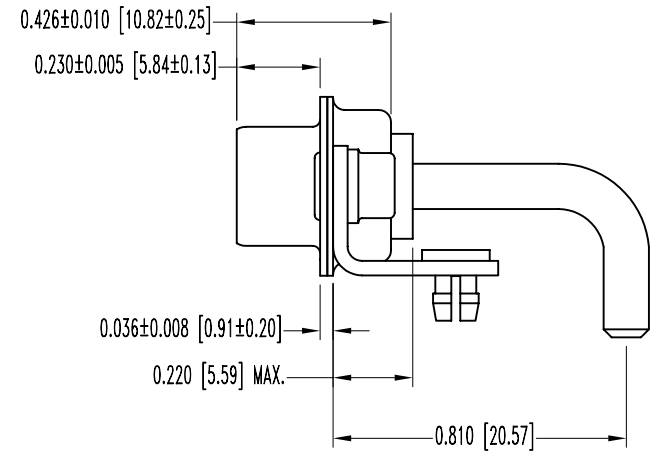
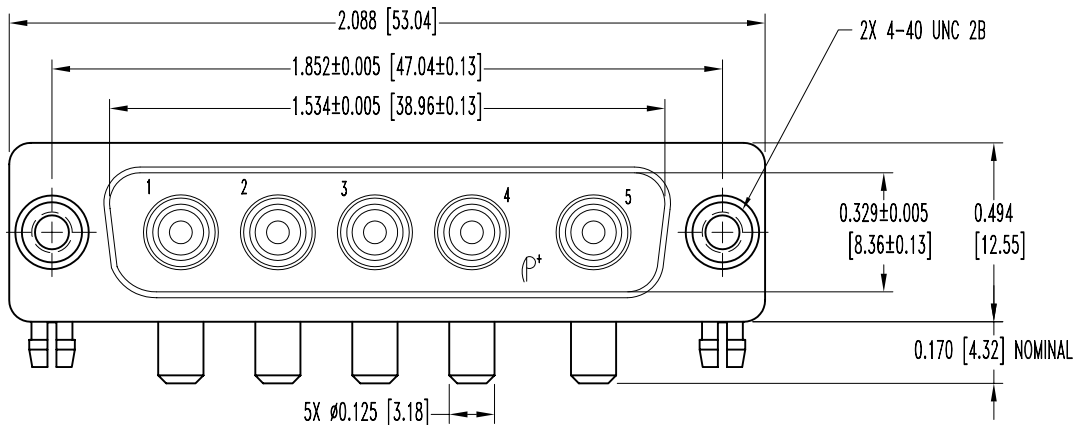


SK5239

POSITRONIC INDUSTRIES BELIEVES THE DATA ON THIS DRAWING TO BE RELIABLE. SINCE THE TECHNICAL INFORMATION IS GIVEN FREE OF CHARGE, THE USER EMPLOYS SUCH INFORMATION AT HIS OWN DISCRETION AND RISK. POSITRONIC INDUSTRIES ASSUMES NO RESPONSIBILITY FOR RESULTS OBTAINED OR DAMAGES INCURRED FROM USE OF SUCH INFORMATION IN WHOLE OR IN PART.

DATE	REV	REVISION RECORD	APP	DR	CK
12-2-03	NC	ECO 21761		ME	



NOTES:

1. MATERIAL AND FINISHES:

INSULATOR: GLASS FILLED POLYESTER PER MIL-M-24519 UL 94V-0, BLUE COLOR.

SHELLS: STEEL, WITH TIN PLATE.

CONTACTS: MACHINED OF HIGH CONDUCTIVITY COPPER ALLOY,
GOLD FLASH OVER NICKEL.

MOUNTING BRACKETS: BRASS WITH TIN PLATE.

PUSH-ON FASTENERS: COPPER ALLOY WITH TIN PLATE.

2. ELECTRICAL CHARACTERISTICS:

INSULATOR RESISTANCE: 5 G OHMS.

CONTACT CURRENT RATING: 30 AMPERES NOMINAL.

PROOF VOLTAGE: 1000 V r.m.s.

WORKING VOLTAGE: 300 V r.m.s.

3. WORKING TEMPERATURE: -55°C TO +125°C.

4. DIMENSIONS ARE IN INCHES [MILLIMETERS].

CONTACT HOLE PATTERN

 POSITRONIC INDUSTRIES INC. www.connectpositronic.com		SCALE		DRAWN BY	
 DECIMAL TOL. ± 0.015 [0.38]		CBD SERIES N.T.S.		M. ENEA APPROVED BY	
TITLE CBD5W5M57R8NOX					
DATE 12-2-03		DRAWING NUMBER SK5239		REV. NC	
ANGULAR TOL. ± 5°					