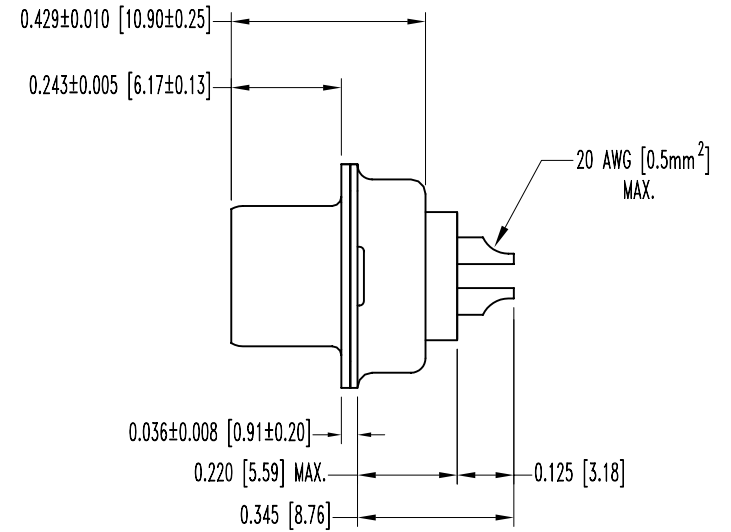
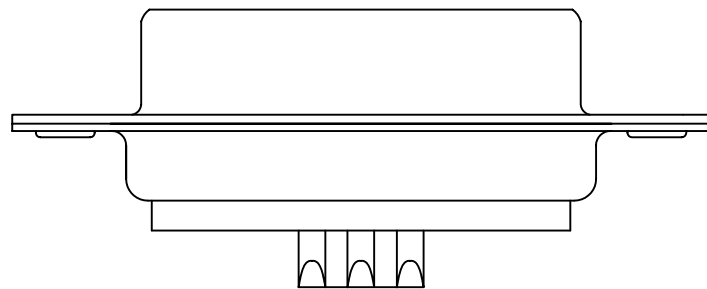
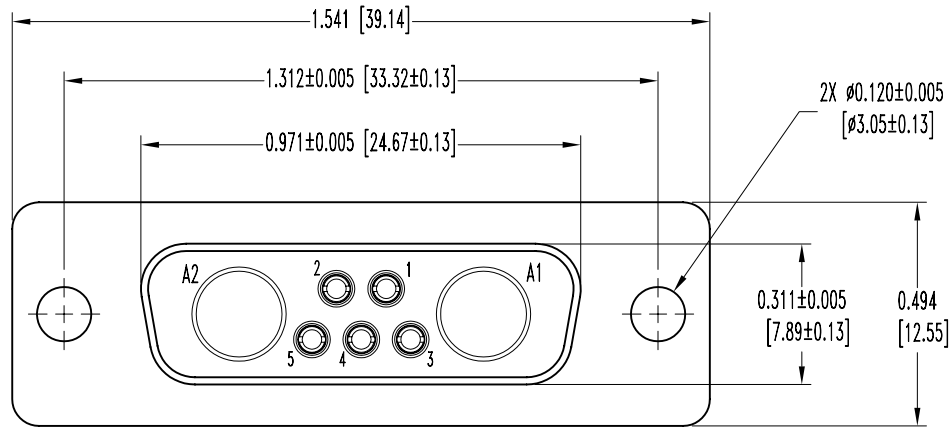


SK8157

POSITRONIC INDUSTRIES BELIEVES THE DATA ON THIS DRAWING TO BE RELIABLE, SINCE THE TECHNICAL INFORMATION IS GIVEN FREE OF CHARGE. THE USER EMPLOYS SUCH INFORMATION AT HIS OWN DISCRETION AND RISK. POSITRONIC INDUSTRIES ASSUMES NO RESPONSIBILITY FOR RESULTS OBTAINED OR DAMAGES INCURRED FROM USE OF SUCH INFORMATION IN WHOLE OR IN PART.

DATE	REV	REVISION RECORD	APP	DR	CK
11-21-06	NC	ECO 27073		YK	



NOTES:

1. MATERIALS AND FINISHES:

INSULATOR: GLASS FILLED POLYESTER PER MIL-M-24519, UL 94V-0, BLUE COLOR.
 CONTACTS: PRECISION MACHINED HIGH TENSILE PHOSPHOR BRONZE, GOLD FLASH OVER NICKEL PLATE.
 SHELLS: STEEL WITH TIN PLATE.

2. ELECTRICAL CHARACTERISTICS:

CONTACT CURRENT RATING: 7.5 AMPERES NOMINAL.
 INITIAL CONTACT RESISTANCE: 0.008 OHMS MAXIMUM.
 INSULATION RESISTANCE: 5 G OHMS.
 WORKING VOLTAGE: 300 V r.m.s.

3. TEMPERATURE RANGE: -55°C TO +125°C.

4. CONNECTORS ARE ROHS COMPLIANT PER ROHS DIRECTIVE 2002/95/EC OF 27 JAN 2003.

5. DIMENSIONS ARE IN INCHES [MILLIMETERS].

	POSITRONIC INDUSTRIES INC. www.connectpositronic.com		SCALE	DRAWN BY
	CBD SERIES		N.T.S.	YK
DECIMAL TOL. ± 0.015 [0.38]	TITLE CBD7W2F2000X/AA		APPROVED BY	
ANGULAR TOL. ± 5°	DATE 11-21-06	DRAWING NUMBER SK8157	REV. NC	