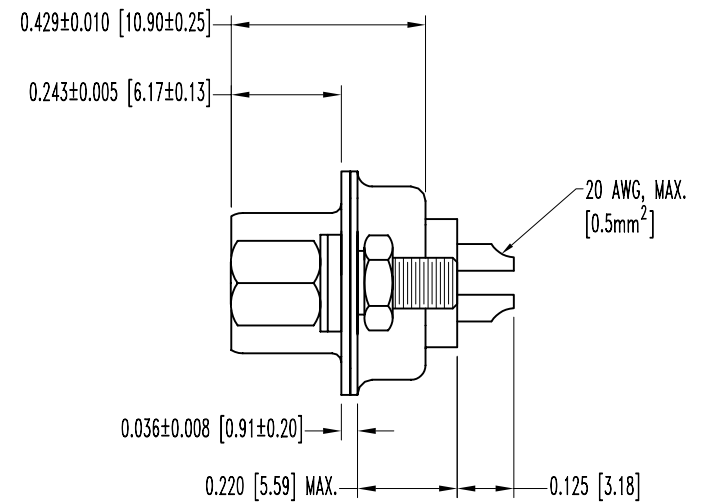
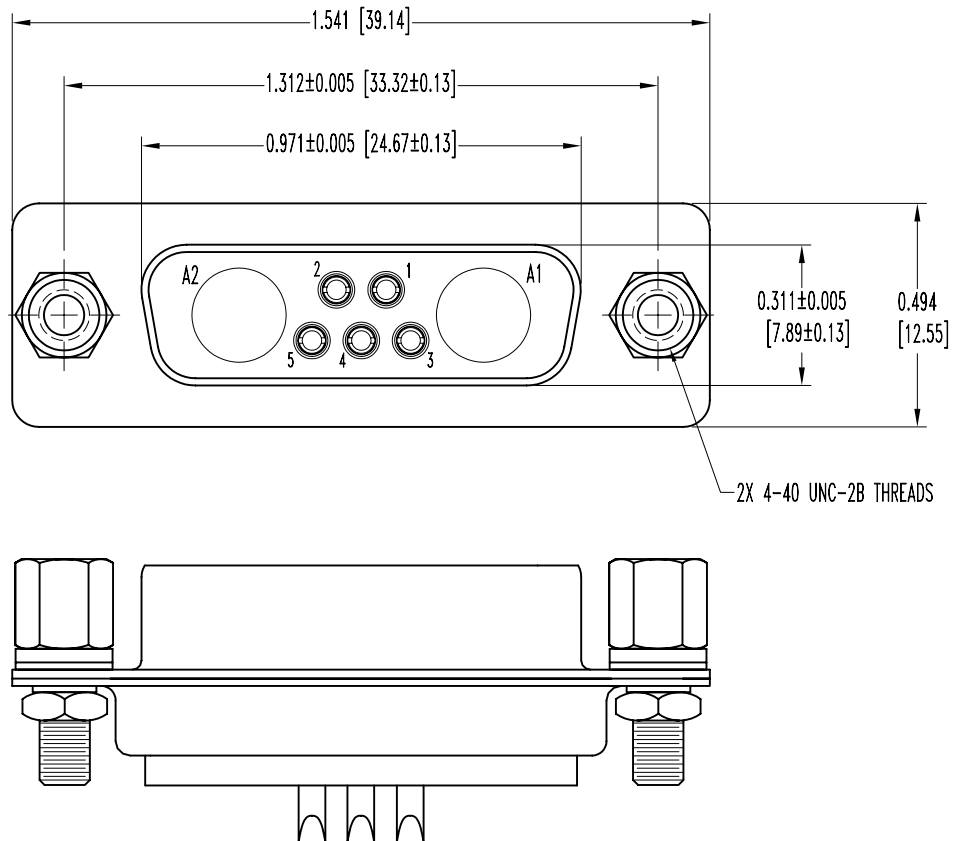


SK7678

POSITRONIC INDUSTRIES BELIEVES THE DATA ON THIS DRAWING TO BE RELIABLE, SINCE THE TECHNICAL INFORMATION IS GIVEN FREE OF CHARGE. THE USER EMPLOYS SUCH INFORMATION AT HIS OWN DISCRETION AND RISK. POSITRONIC INDUSTRIES ASSUMES NO RESPONSIBILITY FOR RESULTS OBTAINED OR DAMAGES INCURRED FROM USE OF SUCH INFORMATION IN WHOLE OR IN PART.

DATE	REV	REVISION RECORD	APP	DR	CK
6-29-06	NC	ECO 26287		YK	



NOTES:

1. MATERIALS AND FINISHES:

INSULATOR: GLASS FILLED POLYESTER PER MIL-M-24519 UL94V-0, BLUE COLOR.
 CONTACTS: PRECISION MACHINED HIGH TENSILE COPPER ALLOY WITH STAINLESS STEEL SHROUD, GOLD FLASH OVER NICKEL PLATE.

SHELLS: STEEL WITH TIN PLATE.

JACKSCREWS: STEEL, ZINC PLATE WITH CHROMATE SEAL.

HEX NUTS: BRASS, ZINC PLATE WITH CHROMATE SEAL.

LOCKWASHERS: BRONZE, ZINC PLATE WITH CHROMATE SEAL.

WASHERS: BRASS, ZINC PLATE WITH CHROMATE SEAL.

2. ELECTRICAL CHARACTERISTICS:

CONTACT CURRENT RATING: 7.5 AMPERES NOMINAL.

INITIAL CONTACT RESISTANCE: 0.008 OHMS MAX.

INSULATOR RESISTANCE: 5 G OHMS.

WORKING VOLTAGE: 300 V r.m.s.

3. TEMPERATURE RANGE: -55°C TO +125°C.

4. CONNECTORS ARE ROHS COMPLIANT PER ROHS DIRECTIVE 2002/95/EC OF 27 JAN 2003.

5. DIMENSIONS ARE IN INCHES [MILLIMETERS].

		POSITRONIC INDUSTRIES INC. www.connectpositronic.com	
		DECIMAL TOL. ± 0.015 [0.38]	TITLE CBD SERIES
ANGULAR TOL. $\pm 5^\circ$		DATE 6-29-06	
DRAWING NUMBER SK7678		REV. NC	
CBD7W2F200T2X/AA			