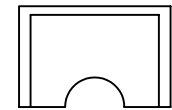
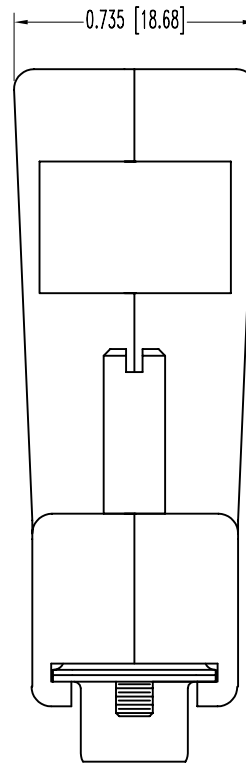
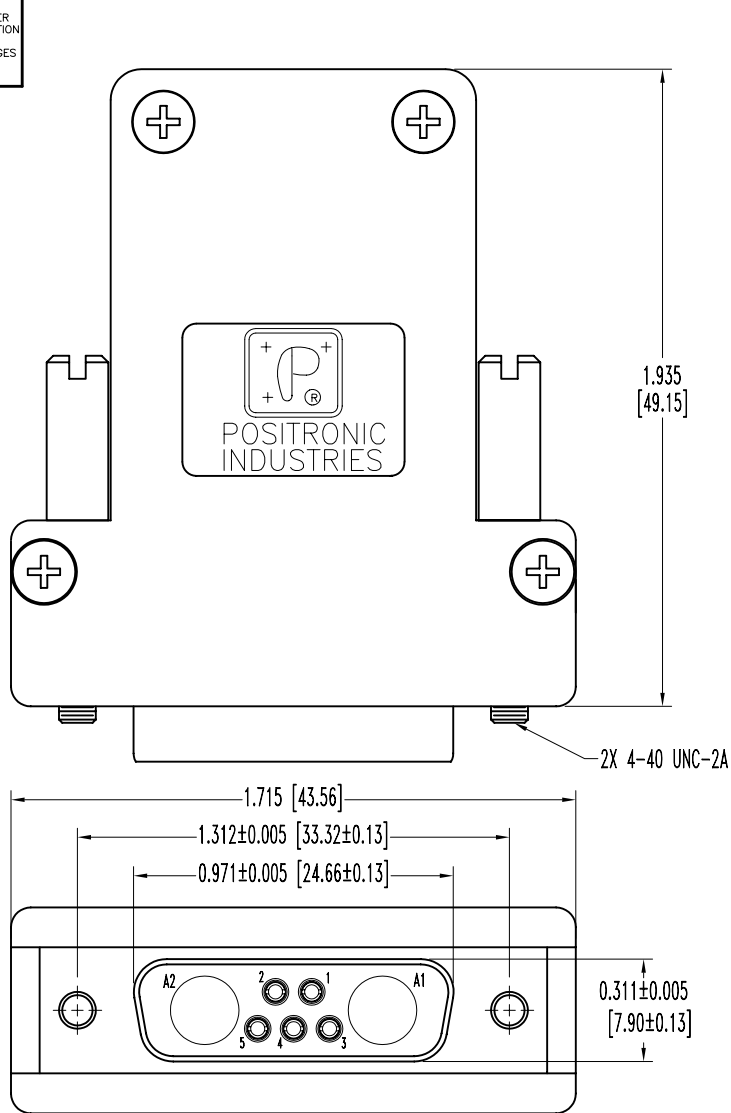


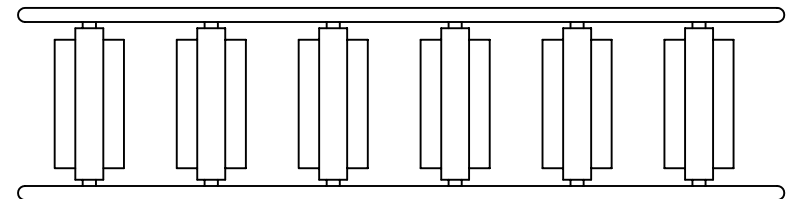
SK7665

POSITRONIC INDUSTRIES BELIEVES THE DATA ON THIS DRAWING TO BE RELIABLE. SINCE THE TECHNICAL INFORMATION IS GIVEN FREE OF CHARGE, THE USER EMPLOYS SUCH INFORMATION AT HIS OWN DISCRETION AND RISK. POSITRONIC INDUSTRIES ASSUMES NO RESPONSIBILITY FOR RESULTS OBTAINED OR DAMAGES INCURRED FROM USE OF SUCH INFORMATION IN WHOLE OR IN PART.

DATE	REV	REVISION RECORD	APP	DR	CK
6-28-06	NC	ECO 26280		YK	



TYPICAL INSERT



INSERT TREE ASSEMBLY

NOTES:

1. MATERIALS AND FINISHES:

INSULATOR: GLASS FILLED POLYESTER PER MIL-M-24519, UL 94V-0, COLOR BLUE.

CONTACTS: PHOSPHOR BRONZE, GOLD FLASH OVER NICKEL PLATE.

SHELLS: STEEL, TIN PLATE.

HOOD AND INSERT: COMPOSITE, CONDUCTIVE VOLUME RESISTIVITY (1.0 OHM-CM MAX.), UL 94V-0.

ATTENUATION: 40+ DECIBELS.

JACKSCREWS: STEEL, ZINC PLATE WITH BLUE CHROMATE SEAL.

SCREWS: STAINLESS STEEL, PASSIVATED.

2. ELECTRICAL CHARACTERISTICS:

CONTACT CURRENT RATING: 7.5 AMPERES NOMINAL.

INITIAL CONTACT RESISTANCE: 0.008 OHMS MAX.

INSULATOR RESISTANCE: 5 G OHMS.

WORKING VOLTAGE: 300 V r.m.s.

3. TEMPERATURE RANGE: -55°C TO +125°C.

4. INSERT TREE KITTED WITH CONNECTOR.

5. DIMENSIONS ARE IN INCHES [MILLIMETERS].

		POSITRONIC INDUSTRIES INC. www.connectpositronic.com	
		DECIMAL TOL. ± 0.015 [0.38]	TITLE CBD7W2F20Z0X
ANGULAR TOL. $\pm 5^\circ$	DATE 6-28-06	SCALE N.T.S.	DRAWN BY YK
DRAWING NUMBER SK7665		REV. NC	