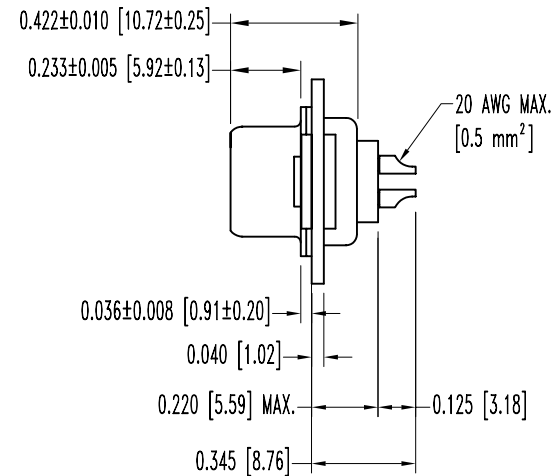
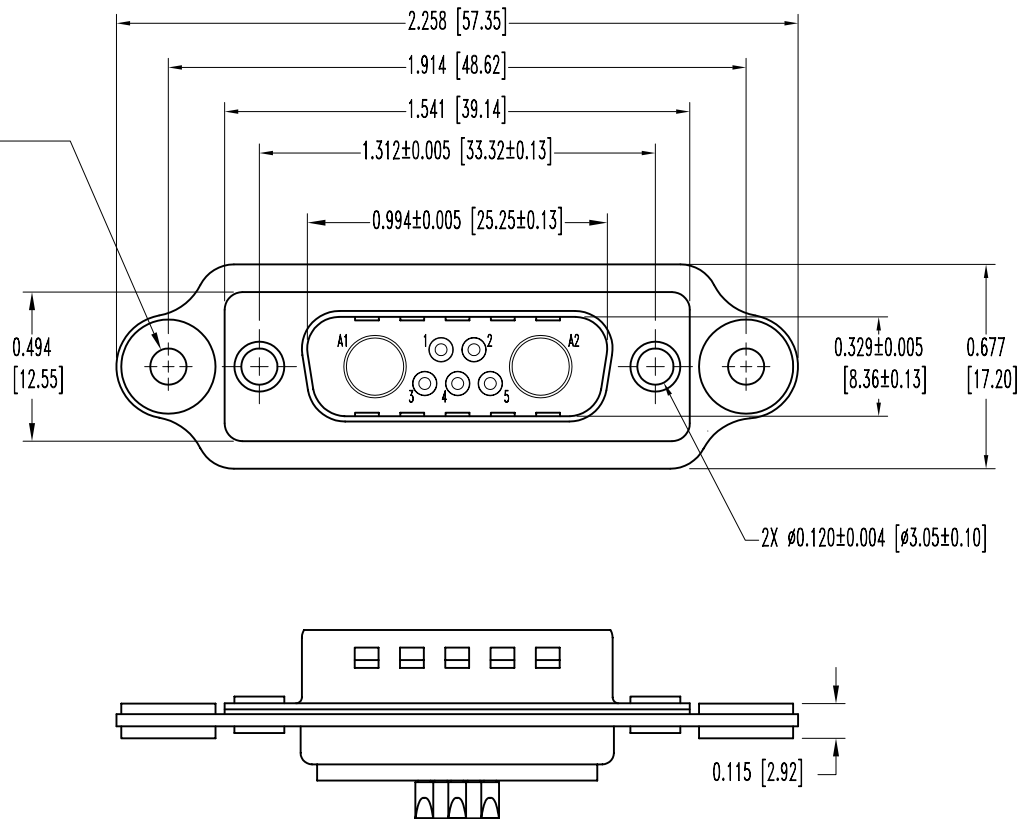


SK8154

POSITRONIC INDUSTRIES BELIEVES THE DATA ON THIS DRAWING TO BE RELIABLE. SINCE THE TECHNICAL INFORMATION IS GIVEN FREE OF CHARGE, THE USER EMPLOYS SUCH INFORMATION AT HIS OWN DISCRETION AND RISK. POSITRONIC INDUSTRIES ASSUMES NO RESPONSIBILITY FOR RESULTS OBTAINED OR DAMAGES INCURRED FROM USE OF SUCH INFORMATION IN WHOLE OR IN PART.

DATE	REV	REVISION RECORD	APP	DR	CK
11-20-06	NC	ECO 27062		YK	

2X $\phi 0.120$ [$\phi 3.05$]
 0.033 [0.84] TOTAL
 DIAMETER FLOAT
 0.010 [0.25] TOTAL
 AXIAL FLOAT



NOTES:

- MATERIALS AND FINISHES:
 INSULATOR: GLASS FILLED POLYESTER PER MIL-M-24519 UL94V-0, BLUE COLOR.
 SHELLS: STEEL, TIN PLATED AND DIMPLED.
 MOUNTING PLATE: ALUMINUM, YELLOW ANODIZED.
 CONTACTS: PRECISION MACHINED COPPER ALLOY, GOLD FLASH OVER NICKEL PLATE.
- ELECTRICAL CHARACTERISTICS:
 CONTACT CURRENT RATING: 7.5 AMPERES NOMINAL.
 INITIAL CONTACT RESISTANCE: 0.008 OHMS MAXIMUM.
 INSULATOR RESISTANCE: 5 G OHMS.
 WORKING VOLTAGE: 300 V r.m.s.
- TEMPERATURE RANGE: -55°C TO +125°C.
- MOS 759.1 ALLOWS FOR BLIND MATE MOUNTING PLATE TO BE INSTALLED.
- CONNECTORS ARE ROHS COMPLIANT PER ROHS DIRECTIVE 2002/95/EC OF 27 JAN 2003.
- DIMENSIONS ARE IN INCHES [MILLIMETERS].

	POSITRONIC INDUSTRIES INC. www.connectpositronic.com		SCALE	DRAWN BY
	CBD SERIES		N.T.S.	YK
DECIMAL TOL. ± 0.015 [0.38]	TITLE CBD7W2M2000Z/AA-759.1		APPROVED BY	
ANGULAR TOL. $\pm 5^\circ$	DATE 11-20-06	DRAWING NUMBER SK8154	REV. NC	