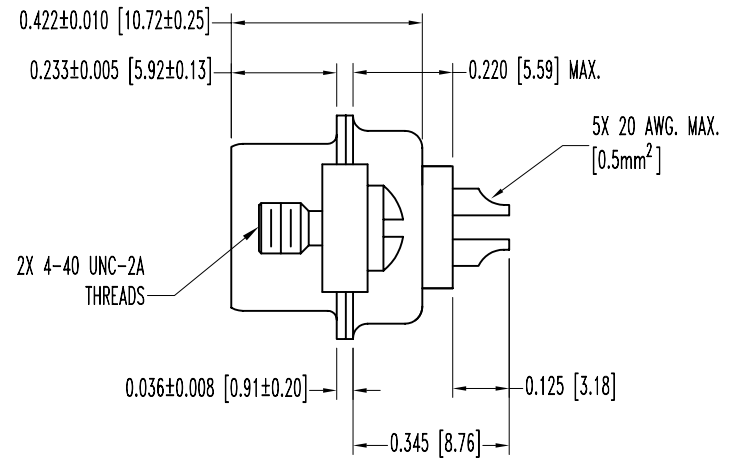
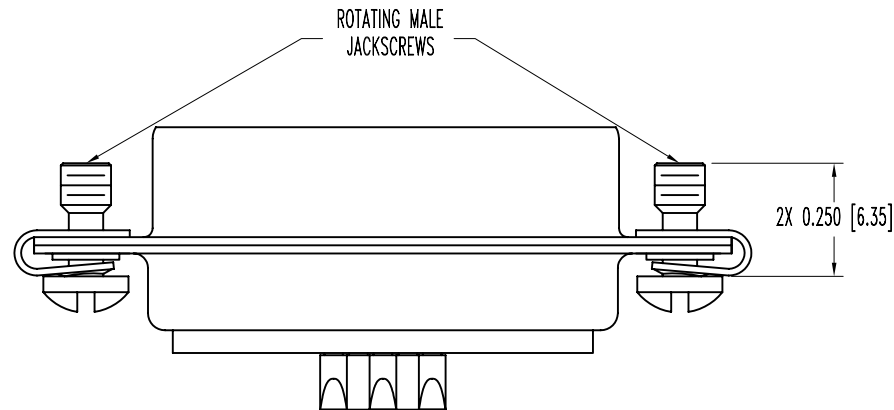
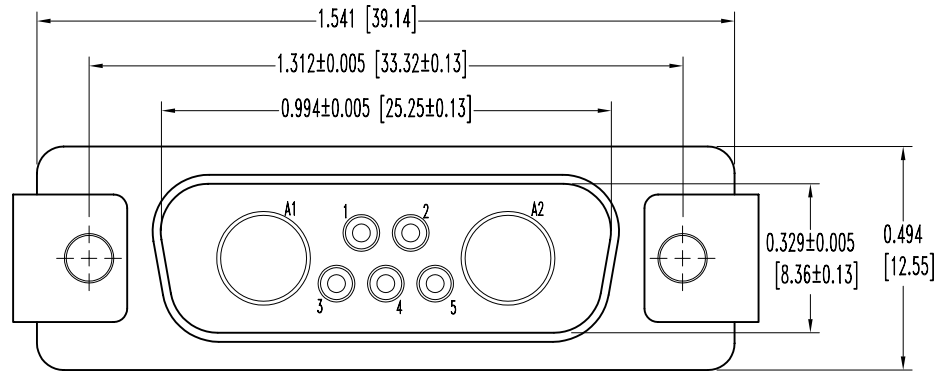


SK8129

POSITRONIC INDUSTRIES BELIEVES THE DATA ON THIS DRAWING TO BE RELIABLE, SINCE THE TECHNICAL INFORMATION IS GIVEN FREE OF CHARGE, THE USER EMPLOYS SUCH INFORMATION AT HIS OWN DISCRETION AND RISK. POSITRONIC INDUSTRIES ASSUMES NO RESPONSIBILITY FOR RESULTS OBTAINED OR DAMAGES INCURRED FROM USE OF SUCH INFORMATION IN WHOLE OR IN PART.

DATE	REV	REVISION RECORD	APP	DR	CK
11-14-06	NC	ECO 27025		YK	



NOTES:

- MATERIALS AND FINISHES:
 INSULATOR: GLASS FILLED POLYESTER PER MIL-W-24519 UL 94V-0, BLUE COLOR.
 CONTACTS: PRECISION MACHINED BRASS ALLOY, GOLD FLASH OVER NICKEL PLATE.
 SHELLS: STEEL, ZINC PLATE WITH CHROMATE SEAL.
 SCREWS: STEEL, ZINC PLATE WITH CHROMATE SEAL.
 U-CLIPS: SPRING STEEL, ZINC PLATE WITH CHROMATE SEAL.
- ELECTRICAL CHARACTERISTICS:
 CONTACT CURRENT RATING: 7.5 AMPERES NOMINAL.
 INITIAL CONTACT RESISTANCE: 0.008 OHMS MAXIMUM.
 INSULATOR RESISTANCE: 5 G OHMS.
 WORKING VOLTAGE: 300 V r.m.s.
- TEMPERATURE RANGE: -55°C TO +125°C.
- CONNECTORS ARE ROHS COMPLIANT PER ROHS DIRECTIVE 2002/95/EC OF 27 JAN 2003.
- DIMENSIONS ARE IN INCHES [MILLIMETERS].

		POSITRONIC INDUSTRIES INC. www.connectpositronic.com	
	SCALE N.T.S.	DRAWN BY YK	
DECIMAL TOL. ± 0.015 [0.38]	CBD SERIES	APPROVED BY	
	TITLE CBD7W2M200E20/AA		
ANGULAR TOL. ± 5°	DATE 11-14-06	DRAWING NUMBER SK8129	REV. NC