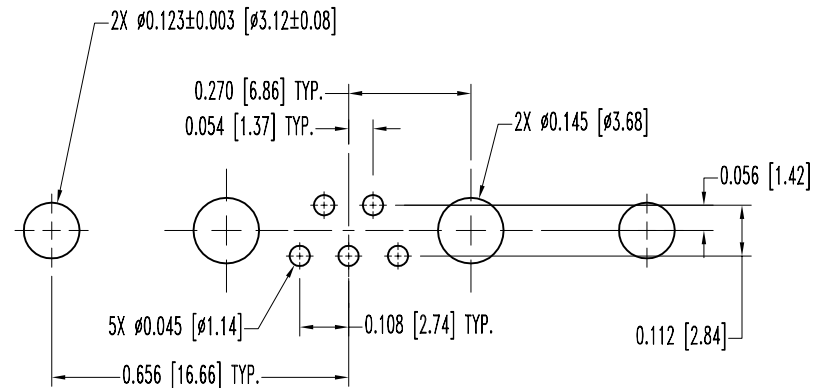
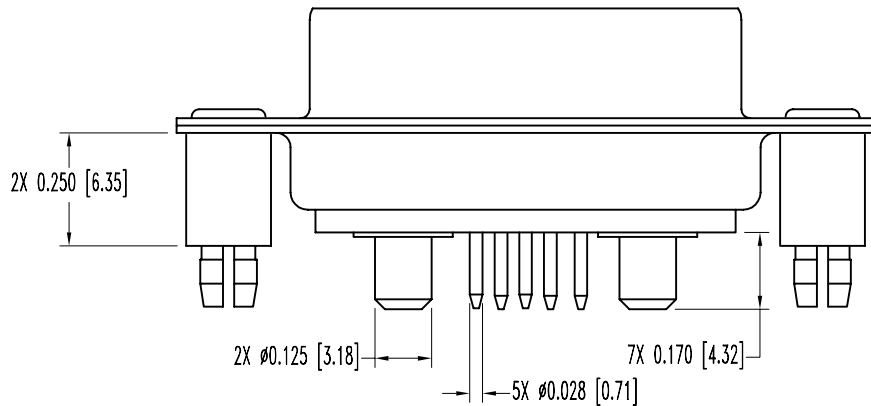
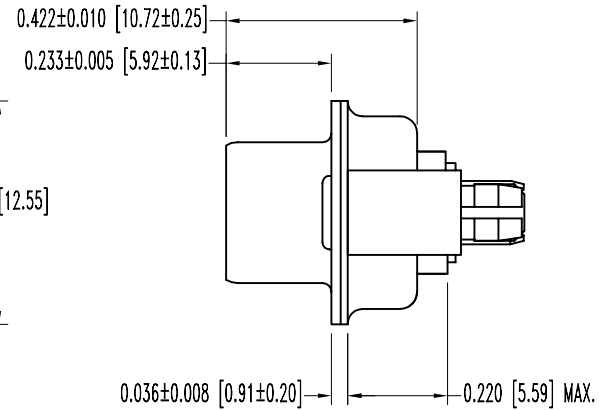
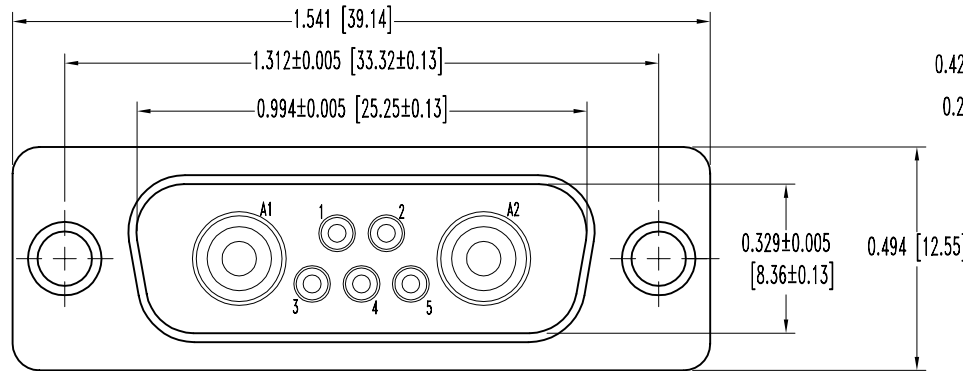


SK4654

POSITRONIC INDUSTRIES BELIEVES THE DATA ON THIS DRAWING TO BE RELIABLE. SINCE THE TECHNICAL INFORMATION IS GIVEN FREE OF CHARGE, THE USER EMPLOYS SUCH INFORMATION AT HIS OWN DISCRETION AND RISK. POSITRONIC INDUSTRIES ASSUMES NO RESPONSIBILITY FOR RESULTS OBTAINED OR DAMAGES INCURRED FROM USE OF SUCH INFORMATION IN WHOLE OR IN PART.

DATE	REV	REVISION RECORD	APP	DR	CK
9-23-02	NC	ECO 20067		YK	



CONTACT HOLE PATTERN

NOTES:

1. MATERIALS AND FINISHES:

- INSULATOR: GLASS FILLED POLYESTER PER MIL-W-24519 UL 94V-0, BLUE COLOR.
- SIGNAL CONTACTS: PRECISION MACHINED HIGH TENSILE PHOSPHOR BRONZE, GOLD FLASH OVER NICKEL PLATE.
- POWER CONTACTS: MACHINED OF HIGH CONDUCTIVITY COPPER ALLOY, GOLD FLASH OVER NICKEL PLATE.
- SHELLS: STEEL WITH TIN PLATE.
- PUSH FASTENERS: PHOSPHOR BRONZE WITH TIN PLATE.

2. ELECTRICAL CHARACTERISTICS:

- CONTACT CURRENT RATING: SIGNAL: 7.5 AMPERES NOMINAL. POWER: 30 AMPERES NOMINAL.
- INITIAL CONTACT RESISTANCE: SIGNAL: 0.008 OHMS MAXIMUM. POWER: 0.005 OHMS MAXIMUM.
- INSULATOR RESISTANCE: 5 G OHMS.
- WORKING VOLTAGE: 300 V r.m.s.

3. TEMPERATURE RANGE: -55°C TO +125°C.

4. DIMENSIONS ARE IN INCHES [MILLIMETERS].

 <b>POSITRONIC INDUSTRIES INC.</b> www.connectpositronic.com		SCALE <b>N.T.S.</b>		DRAWN BY <b>Y.KELLEYBREW</b>	
DECIMAL TOL. <b>± 0.015 [0.38]</b>		<b>CBD SERIES</b>		APPROVED BY	
<b>WF # 4819</b>		<b>TITLE</b> <b>CBD7W2M37S600X</b>			
ANGULAR TOL. <b>± 5°</b>		DATE <b>9-23-02</b>		DRAWING NUMBER <b>SK4654</b>	
				REV. <b>NC</b>	