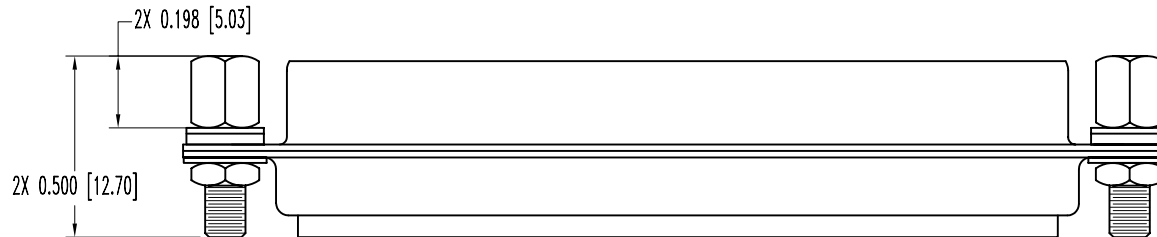
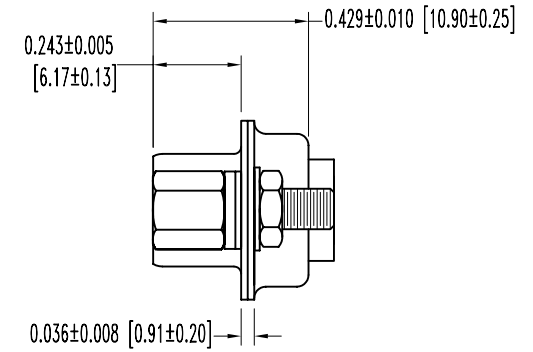
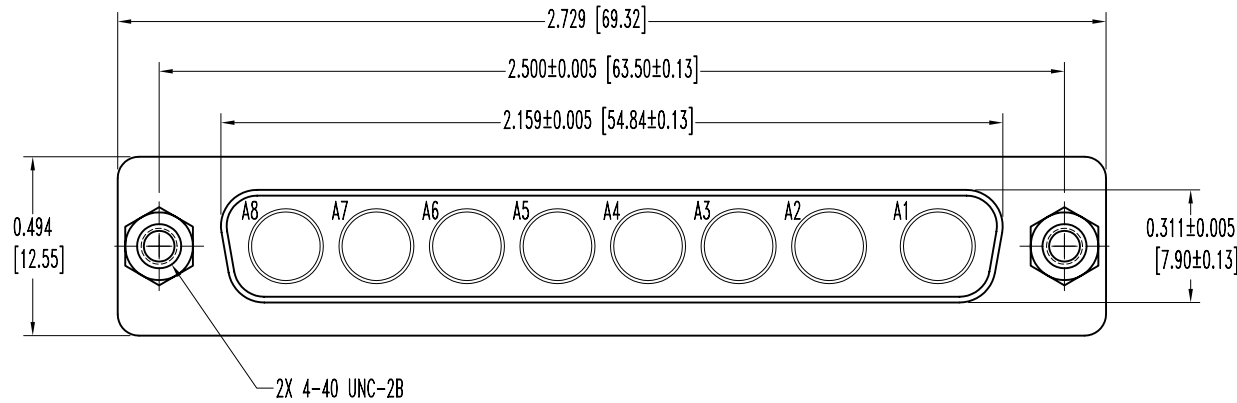


SK6090


POSITRONIC INDUSTRIES BELIEVES THE DATA ON THIS DRAWING TO BE RELIABLE. SINCE THE TECHNICAL INFORMATION IS GIVEN FREE OF CHARGE, THE USER EMPLOYS SUCH INFORMATION AT HIS OWN DISCRETION AND RISK. POSITRONIC INDUSTRIES ASSUMES NO RESPONSIBILITY FOR RESULTS OBTAINED OR DAMAGES INCURRED FROM USE OF SUCH INFORMATION IN WHOLE OR IN PART.

DATE	REV	REVISION RECORD	APP	DR	CK
3-24-05	NC	ECO 23838		YK	



NOTES:

- MATERIALS AND FINISHES:
 INSULATOR: GLASS FILLED POLYESTER PER MIL-M-24519, UL 94V-0, COLOR BLUE.
 SHELLS: STEEL, ZINC PLATED WITH DICHROMATE SEAL.
 JACKSCREWS: STEEL, ZINC PLATED WITH DICHROMATE SEAL.
 HEX NUT: BRASS, ZINC PLATE WITH DICHROMATE SEAL.
 WASHERS: STAINLESS STEEL, PASSIVATED.
- ELECTRICAL CHARACTERISTICS:
 INSULATOR RESISTANCE: 5 G OHMS.
 WORKING VOLTAGE: 300 V r.m.s.
- TEMPERATURE RANGE: -55°C TO +125°C.
- DIMENSIONS ARE IN INCHES [MILLIMETERS].

 POSITRONIC INDUSTRIES INC. www.connectpositronic.com		SCALE		DRAWN BY	
DECIMAL TOL. ± 0.015 [0.38]		CBD SERIES		N.T.S.	
ANGULAR TOL. ± 5°		DATE 3-24-05		DRAWING NUMBER SK6090	
TITLE CBD8W8F000T20		APPROVED BY		REV. NC	