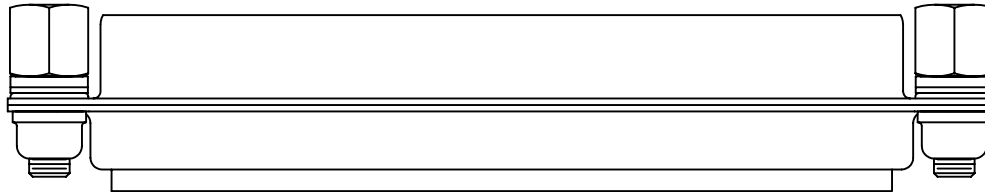
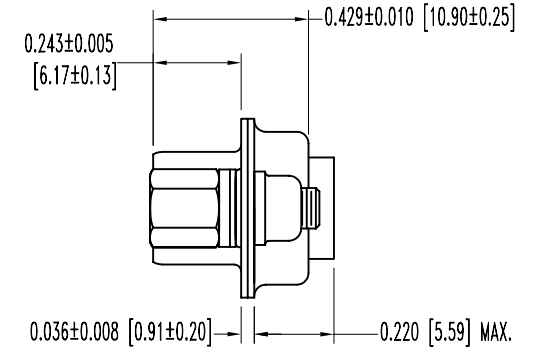
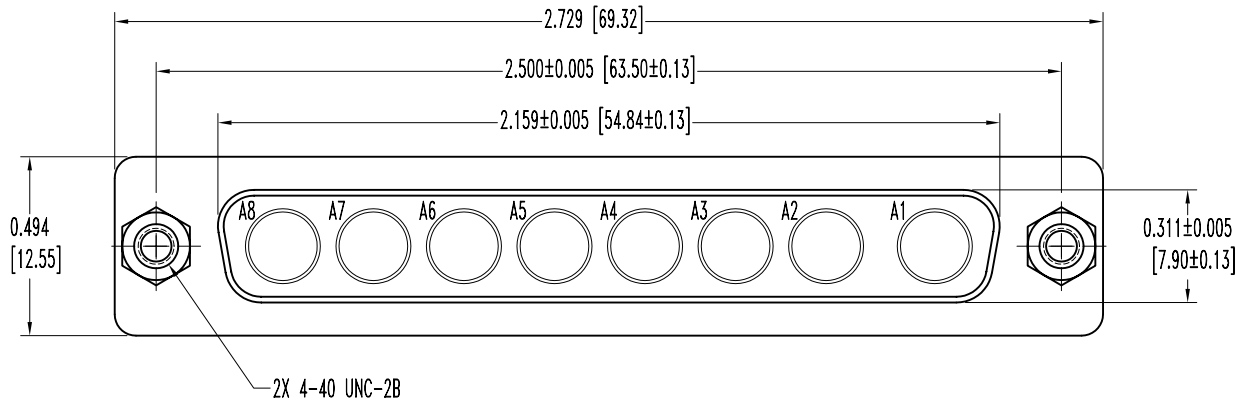


SK5717

POSITRONIC INDUSTRIES BELIEVES THE DATA ON THIS DRAWING TO BE RELIABLE. SINCE THE TECHNICAL INFORMATION IS GIVEN FREE OF CHARGE, THE USER EMPLOYS SUCH INFORMATION AT HIS OWN DISCRETION AND RISK. POSITRONIC INDUSTRIES ASSUMES NO RESPONSIBILITY FOR RESULTS OBTAINED OR DAMAGES INCURRED FROM USE OF SUCH INFORMATION IN WHOLE OR IN PART.

DATE	REV	REVISION RECORD	APP	DR	CK
10-8-04	NC	ECO 23100		YK	



NOTES:

- MATERIALS AND FINISHES:  
 INSULATOR: GLASS FILLED POLYESTER PER MIL-M-24519, COLOR BLUE.  
 SHELLS: STEEL, ZINC PLATED WITH DICHROMATE SEAL.  
 JACKSCREWS: STEEL, ZINC PLATED WITH DICHROMATE SEAL.  
 SWAGED LOCK NUT: BRASS, ZINC PLATE WITH DICHROMATE SEAL.
- ELECTRICAL CHARACTERISTICS:  
 INSULATOR RESISTANCE: 5 G OHMS.  
 WORKING VOLTAGE: 300 V r.m.s.
- TEMPERATURE RANGE: -55°C TO +125°C.
- DIMENSIONS ARE IN INCHES [MILLIMETERS].

 <b>POSITRONIC INDUSTRIES INC.</b> www.connectpositronic.com		SCALE		DRAWN BY	
DECIMAL TOL. ± 0.015 [0.38]		CBD SERIES		N.T.S.	
ANGULAR TOL. ± 5°		DATE 10-8-04		DRAWING NUMBER SK5717	
TITLE CBD8W8F0S50T20		APPROVED BY		YK	
		REV.		NC	