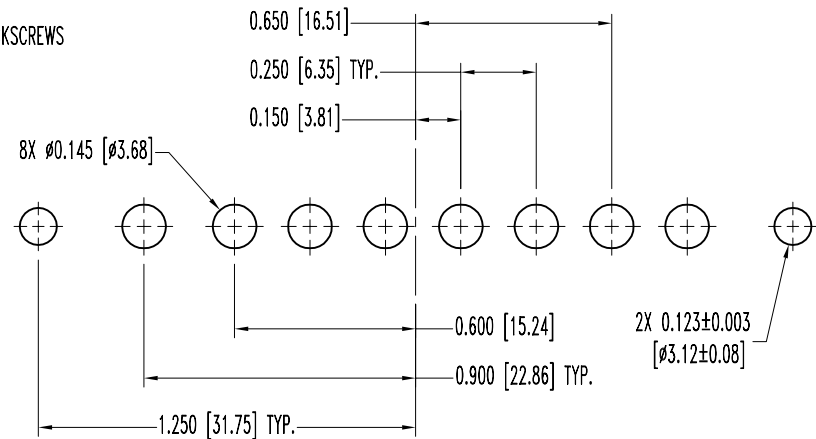
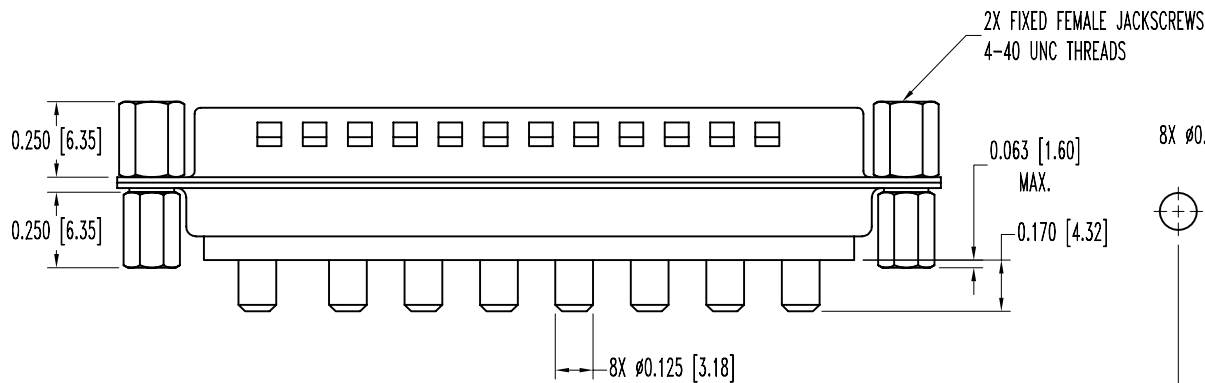
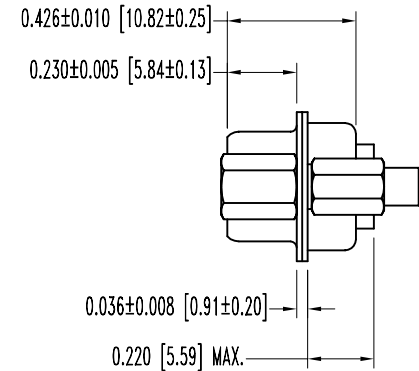
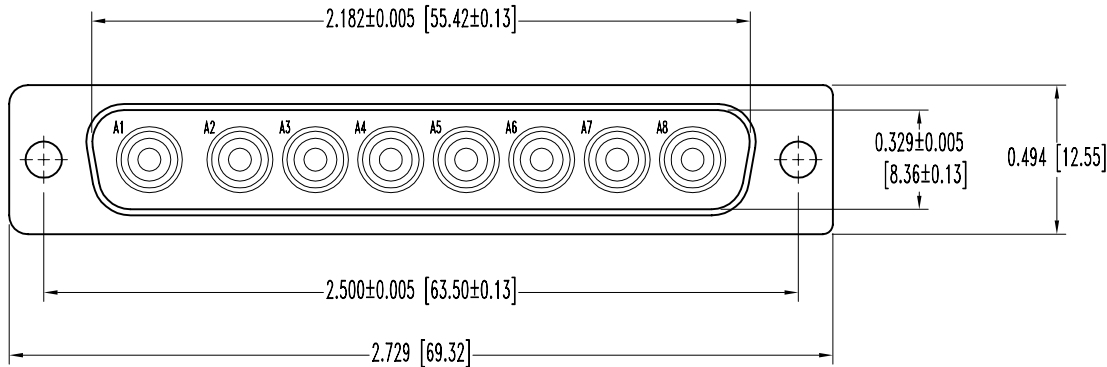


SK3178

POSITRONIC INDUSTRIES BELIEVES THE DATA ON THIS DRAWING TO BE RELIABLE. SINCE THE TECHNICAL INFORMATION IS GIVEN FREE OF CHARGE, THE USER EMPLOYS SUCH INFORMATION AT HIS OWN DISCRETION AND RISK. POSITRONIC INDUSTRIES ASSUMES NO RESPONSIBILITY FOR RESULTS OBTAINED OR DAMAGES INCURRED FROM USE OF SUCH INFORMATION IN WHOLE OR IN PART.

DATE	REV	REVISION RECORD	APP	DR	CK
8-4-99	NC	ECO 15398	RCW	JLG	TK
6-5-08	A	ECO 21016		YK	



CONTACT HOLE PATTERN

NOTES:

- MATERIALS AND FINISHES:  
 INSULATOR: GLASS FILLED POLYESTER PER MIL-M-24519, UL 94V-0, COLOR: BLUE.  
 CONTACTS: PRECISION MACHINED COPPER ALLOY.  
 SHELLS: STEEL, TIN PLATE.  
 JACKSCREW SYSTEMS: STEEL WITH ZINC PLATE AND DICHROMATE SEAL.
- ELECTRICAL CHARACTERISTICS:  
 CONTACT CURRENT RATING: 30 AMPS. NOMINAL.  
 INITIAL CONTACT RESISTANCE: 0.008 OHMS MAXIMUM.  
 INSULATOR RESISTANCE: 5 G ohms.  
 WORKING VOLTAGE: 300 V r.m.s.
- DIMENSIONS ARE IN INCHES [MILLIMETERS].

		<b>POSITRONIC INDUSTRIES INC.</b> www.connectpositronic.com	
DECIMAL TOL. $\pm 0.015$ [0.38]	CBD SERIES	SCALE N.T.S.	DRAWN BY J. GREEN
ANGULAR TOL. $\pm 5^\circ$	DATE 8-4-99	DRAWING NUMBER SK3178	APPROVED BY RCW
TITLE <b>CBD8W8M37POTZ</b>			
			REV. A