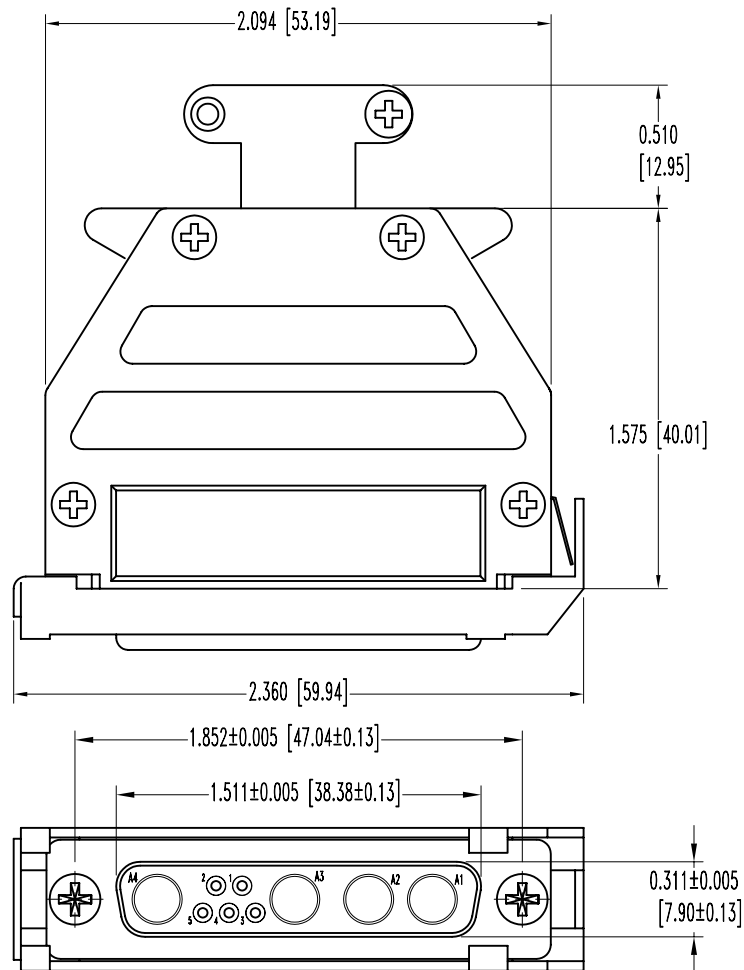


SK8037

POSITRONIC INDUSTRIES BELIEVES THE DATA ON THIS DRAWING TO BE RELIABLE. SINCE THE TECHNICAL INFORMATION IS GIVEN FREE OF CHARGE, THE USER EMPLOYS SUCH INFORMATION AT HIS OWN DISCRETION AND RISK. POSITRONIC INDUSTRIES ASSUMES NO RESPONSIBILITY FOR RESULTS OBTAINED OR DAMAGES INCURRED FROM USE OF SUCH INFORMATION IN WHOLE OR IN PART.



DATE	REV	REVISION RECORD	APP	DR	CK
10-5-06	NC	ECO 26819	RCW	YK	COLE
1-10-07	A	ECO 27308		YK	

NOTES:

1. MATERIALS AND FINISHES:

INSULATOR: GLASS FILLED POLYESTER PER MIL-M-24519 UL 94V-0, BLUE COLOR.

CONTACTS: PRECISION MACHINED HIGH TENSILE PHOSPHOR BRONZE, GOLD FLASH OVER NICKEL PLATE.

SHELLS: STEEL, ZINC PLATE WITH CHROMATE SEAL.

HOOD: ZINC, DIE CAST.

CABLE CLAMPS: ZINC, DIE CAST.

CABLE CLAMPS SCREWS: STEEL, NICKEL PLATE.

LOCKARM: STEEL WITH NICKEL PLATE.

LOCKARM SPRING: BERYLLIUM COPPER WITH NICKEL PLATE.

SCREWS: STEEL, NICKEL PLATE.

MOUNTING SCREWS: STAINLESS STEEL, PASSIVATED.

2. ELECTRICAL CHARACTERISTICS:

CONTACT CURRENT RATING: 7.5 AMPERES NOMINAL.

INITIAL CONTACT RESISTANCE: 0.008 OHMS MAXIMUM.

INSULATOR RESISTANCE: 5 G OHMS.

3. TEMPERATURE RANGE: -55°C TO +125°C.

4. CONNECTORS ARE ROHS COMPLIANT PER ROHS DIRECTIVE 2002/95/EC OF 27 JAN 2003.

5. DIMENSIONS ARE IN INCHES [MILLIMETERS].

		POSITRONIC INDUSTRIES INC. www.connectpositronic.com	
		DECIMAL TOL. ± 0.015 [0.38]	SCALE N.T.S.
ANGULAR TOL. $\pm 5^\circ$		TITLE CBD SERIES CBD9W4F20GVLO/AA	
DATE 10-5-06		DRAWING NUMBER SK8037	
		REV. A	