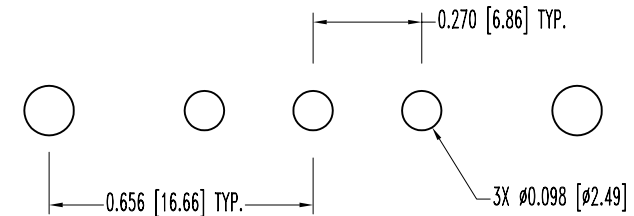
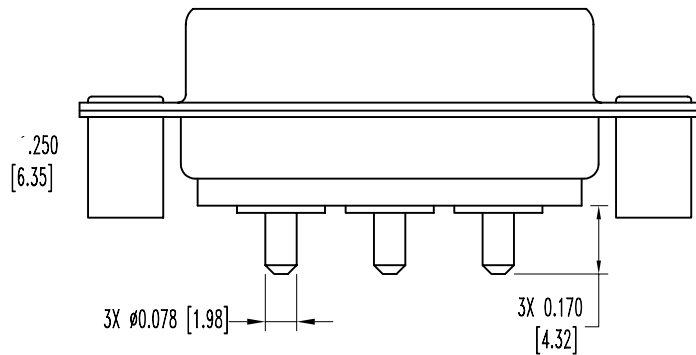
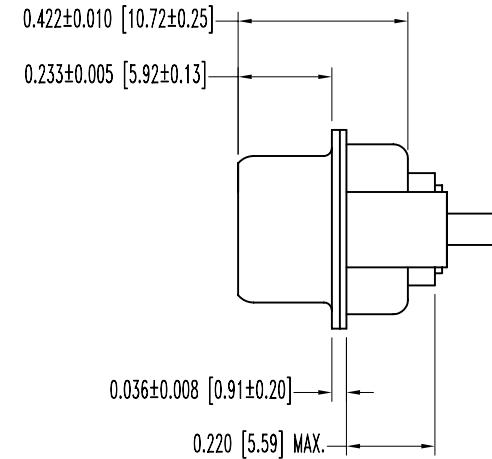
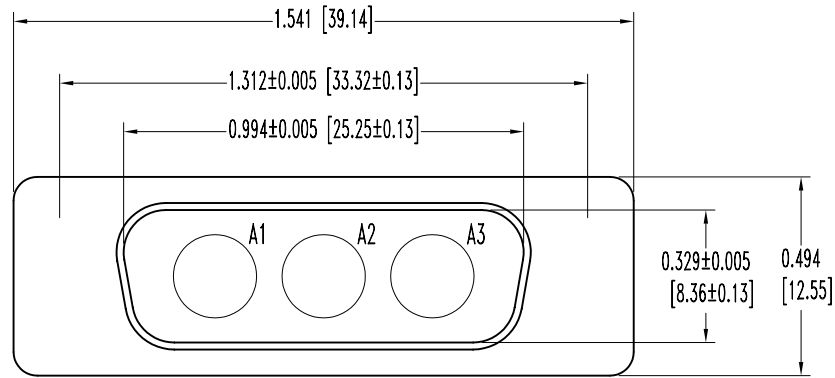


SK7388

POSITRONIC INDUSTRIES BELIEVES THE DATA ON THIS DRAWING TO BE RELIABLE, SINCE THE TECHNICAL INFORMATION IS GIVEN FREE OF CHARGE, THE USER EMPLOYS SUCH INFORMATION AT HIS OWN DISCRETION AND RISK. POSITRONIC INDUSTRIES ASSUMES NO RESPONSIBILITY FOR RESULTS OBTAINED OR DAMAGES INCURRED FROM USE OF SUCH INFORMATION IN WHOLE OR IN PART.

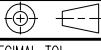
DATE	REV	REVISION RECORD	APP	DR	CK
5-11-06	NC	ECO 25955		ME	



CONTACT HOLE PATTERN

NOTES:

- MATERIALS AND FINISHES:**  
 INSULATORS: GLASS FILLED POLYESTER PER MIL-M-24519, UL 94V-0, BLUE COLOR.  
 CONTACT: MACHINED OF HIGH CONDUCTIVITY COPPER ALLOY, GOLD FLASH OVER NICKEL PLATE.  
 SHELLS: STEEL, TIN PLATE.  
 SPACERS: STEEL, TIN PLATE.
- ELECTRICAL CHARACTERISTICS:**  
 INSULATOR RESISTANCE: 5 G OHMS.  
 CONTACT CURRENT RATING: 15 AMPERES NOMINAL  
 INITIAL CONTACT RESISTANCE: 0.0005 OI  
 WORKING VOLTAGE: 300 V r.m.s.
- TEMPERATURE RANGE: -55°C TO +125°C.**
- DIMENSIONS ARE IN INCHES [MILLIMETERS].**

 <b>POSITRONIC INDUSTRIES INC.</b> www.connectpositronic.com		SCALE		DRAWN BY	
 DECIMAL TOL. ± 0.015 [0.38]		CBM SERIES N.T.S.		M. ENEA APPROVED BY	
TITLE <b>CBM3W3M35S00X</b>					
ANGULAR TOL. ± 5°		DATE 5-11-06		DRAWING NUMBER SK7388	
					REV. NC