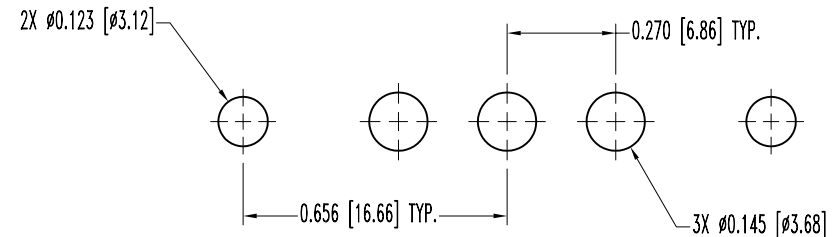
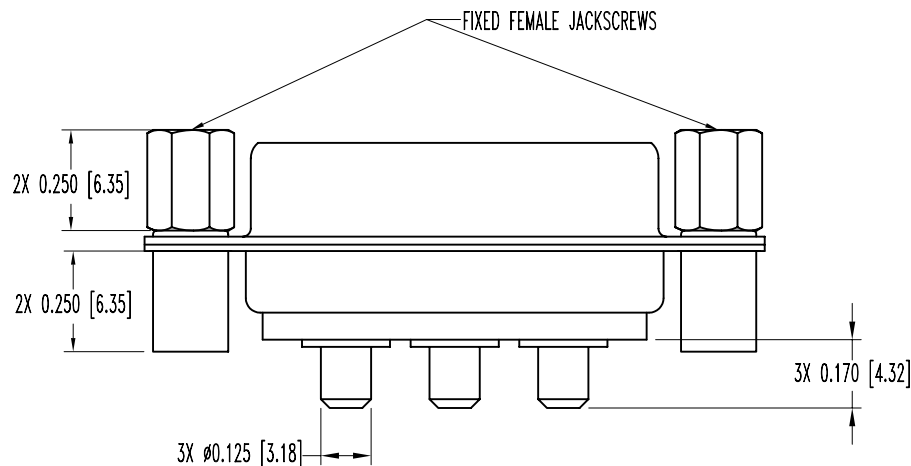
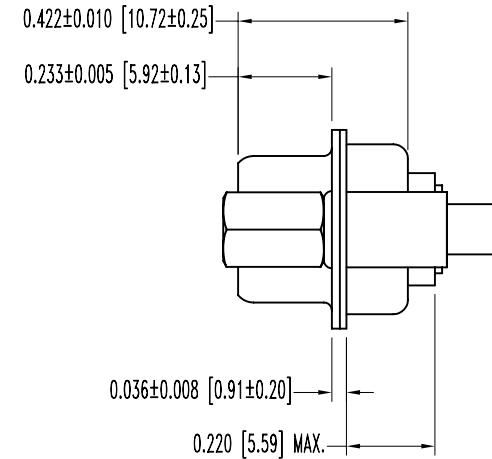
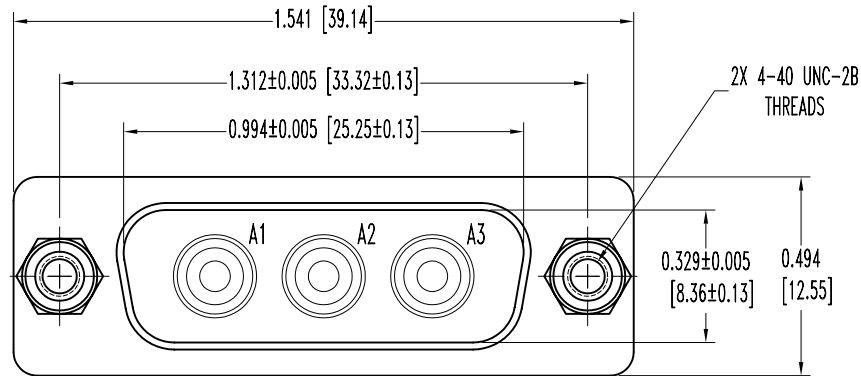


POSITRONIC INDUSTRIES BELIEVES THE DATA ON THIS DRAWING TO BE RELIABLE. SINCE THE TECHNICAL INFORMATION IS GIVEN FREE OF CHARGE, THE USER EMPLOYS SUCH INFORMATION AT HIS OWN DISCRETION AND RISK. POSITRONIC INDUSTRIES ASSUMES NO RESPONSIBILITY FOR RESULTS OBTAINED OR DAMAGES INCURRED FROM USE OF SUCH INFORMATION IN WHOLE OR IN PART.

DATE	REV	REVISION RECORD	APP	DR	CK
9-20-05	NC	ECO 24690		YK	



CONTACT HOLE PATTERN

NOTES:

- MATERIALS AND FINISHES:
 - INSULATORS: GLASS FILLED POLYESTER PER MIL-M-24519, UL 94V-0, BLUE COLOR.
 - CONTACT: MACHINED OF HIGH CONDUCTIVITY COPPER ALLOY, GOLD FLASH OVER NICKEL PLATE.
 - SHELLS: STAINLESS STEEL, PASSIVATED.
 - SPACERS: STEEL, ZINC PLATE WITH DICHROMATE SEAL.
 - JACKSCREWS: BRASS, ZINC PLATE WITH DICHROMATE SEAL.
- ELECTRICAL CHARACTERISTICS:
 - INSULATOR RESISTANCE: 5 G OHMS.
 - CONTACT CURRENT RATING: 30 AMPERES NOMINAL
 - INITIAL CONTACT RESISTANCE: 0.008 OHMS, MAX.
 - WORKING VOLTAGE: 300 V r.m.s.
 - TEMPERATURE RANGE: -55°C TO +125°C.
- DIMENSIONS ARE IN INCHES [MILLIMETERS].

 POSITRONIC INDUSTRIES INC. www.connectpositronic.com		SCALE		DRAWN BY	
DECIMAL TOL. ± 0.015 [0.38]		N.T.S.		YK	
TITLE CBM3W3M37S0TS		APPROVED BY			
DATE 9-20-05		DRAWING NUMBER SK6585		REV. NC	