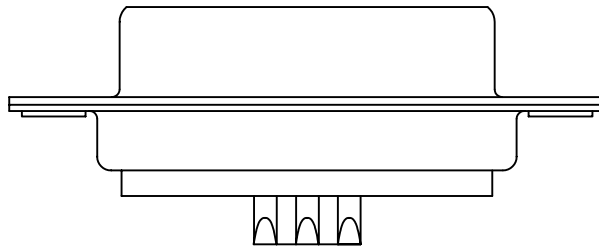
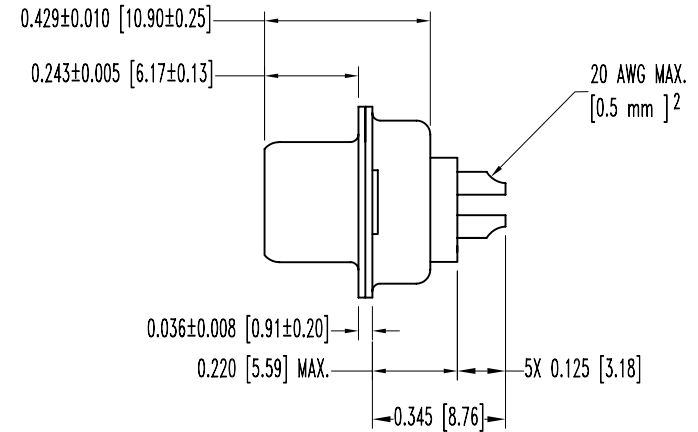
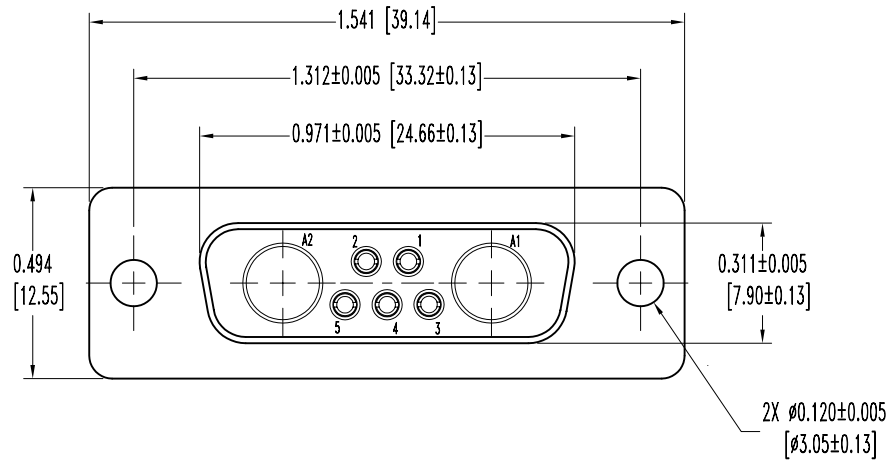


SK5276

POSITRONIC INDUSTRIES BELIEVES THE DATA ON THIS DRAWING TO BE RELIABLE. SINCE THE TECHNICAL INFORMATION IS GIVEN FREE OF CHARGE, THE USER EMPLOYS SUCH INFORMATION AT HIS OWN DISCRETION AND RISK. POSITRONIC INDUSTRIES ASSUMES NO RESPONSIBILITY FOR RESULTS OBTAINED OR DAMAGES INCURRED FROM USE OF SUCH INFORMATION IN WHOLE OR IN PART.

DATE	REV	REVISION RECORD	APP	DR	CK
1-22-04	NC	ECO 21912		ME	



NOTES:

1. MATERIALS AND FINISHES:

INSULATOR: GLASS FILLED POLYESTER PER MIL-W-24519 UL 94V-0, BLUE COLOR.  
 CONTACTS: PRECISION MACHINED HIGH TENSILE PHOSPHOR BRONZE,  
 0.000050 [1.27μ] GOLD OVER NICKEL PLATE.

SHELLS: STAINLESS STEEL, PASSIVATE.

2. ELECTRICAL CHARACTERISTICS:

CONTACT CURRENT RATING: 7.5 AMPERES NOMINAL.  
 INITIAL CONTACT RESISTANCE: 0.008 OHMS MAXIMUM.  
 INSULATOR RESISTANCE: 5 G OHMS.  
 WORKING VOLTAGE: 300 V r.m.s.

3. TEMPERATURE RANGE: -55°C TO +125°C.

4. DIMENSIONS ARE IN INCHES [MILLIMETERS].

 <b>POSITRONIC INDUSTRIES INC.</b> www.connectpositronic.com		SCALE	DRAWN BY
		N.T.S.	M. ENEA
DECIMAL TOL.	CBM SERIES	APPROVED BY	
± 0.015 [0.38]	TITLE		
	CBM7W2F2000S		
ANGULAR TOL.	DATE	DRAWING NUMBER	REV.
± 5°	1-22-04	SK5276	NC