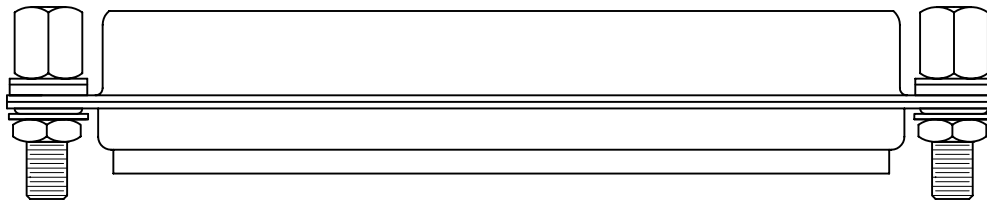
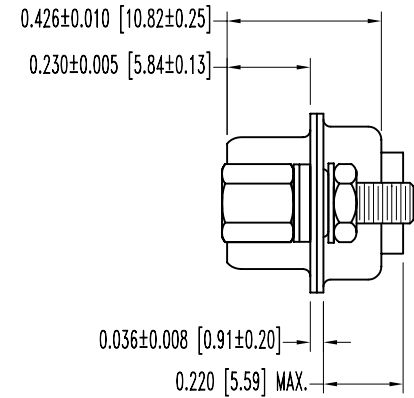
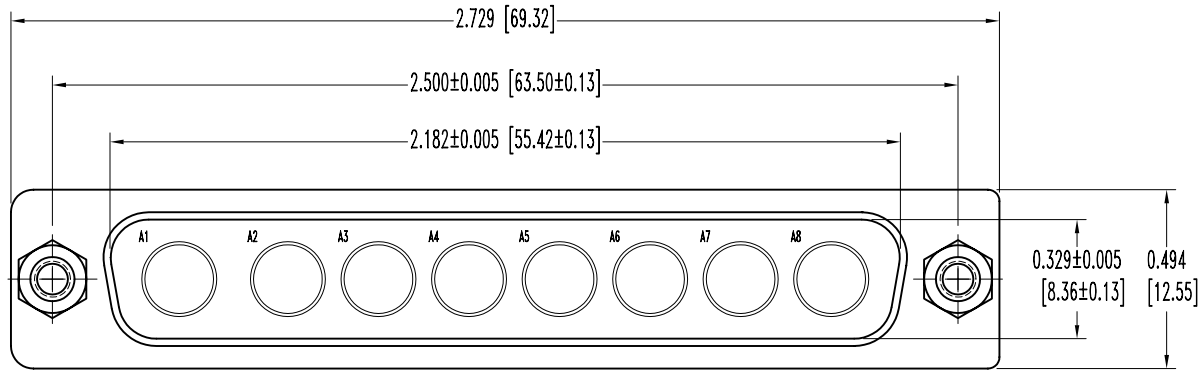


SK7934


POSITRONIC INDUSTRIES BELIEVES THE DATA ON THIS DRAWING TO BE RELIABLE. SINCE THE TECHNICAL INFORMATION IS GIVEN FREE OF CHARGE, THE USER EMPLOYS SUCH INFORMATION AT HIS OWN DISCRETION AND RISK. POSITRONIC INDUSTRIES ASSUMES NO RESPONSIBILITY FOR RESULTS OBTAINED OR DAMAGES INCURRED FROM USE OF SUCH INFORMATION IN WHOLE OR IN PART.

DATE	REV	REVISION RECORD	APP	DR	CK
9-1-06	NC	ECO 26609		YK	



NOTES:

- MATERIALS AND FINISHES:
 INSULATOR: GLASS FILLED POLYESTER PER MIL-M-24519, UL 94V-0, BLUE COLOR.
 SHELLS: STEEL, ZINC PLATE WITH CHROMATE SEAL.
 JACKSCREWS: STEEL, ZINC PLATE WITH CHROMATE SEAL.
 HEX NUTS: BRASS, ZINC PLATE WITH CHROMATE SEAL.
 LOCKWASHERS: BRONZE, ZINC PLATE WITH CHROMATE SEAL.
 WASHERS: STAINLESS STEEL, PASSIVATED.
- ELECTRICAL CHARACTERISTICS:
 INSULATOR RESISTANCE: 5 G OHMS.
 WORKING VOLTAGE: 300 V r.m.s.
- TEMPERATURE RANGE: -55°C TO +125°C.
- DIMENSIONS ARE IN INCHES [MILLIMETERS].

 POSITRONIC INDUSTRIES INC. www.connectpositronic.com		SCALE	DRAWN BY
DECIMAL TOL. ± 0.015 [0.38]		N.T.S.	YK
TITLE CBM8W8M000T20		APPROVED BY	
DATE 9-1-06		DRAWING NUMBER	REV.
ANGULAR TOL. ± 5°		SK7934	NC