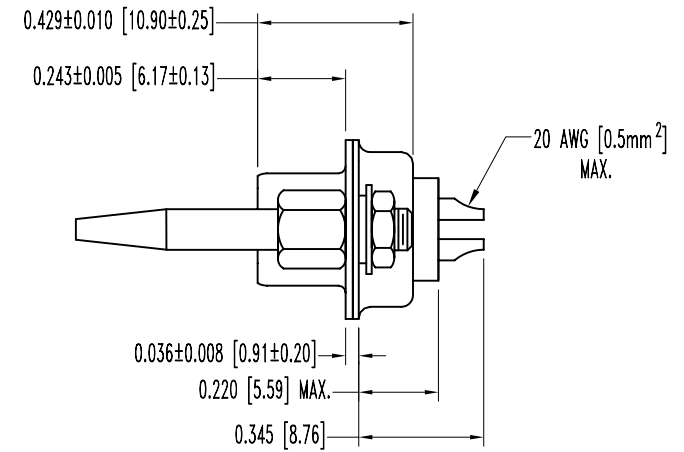
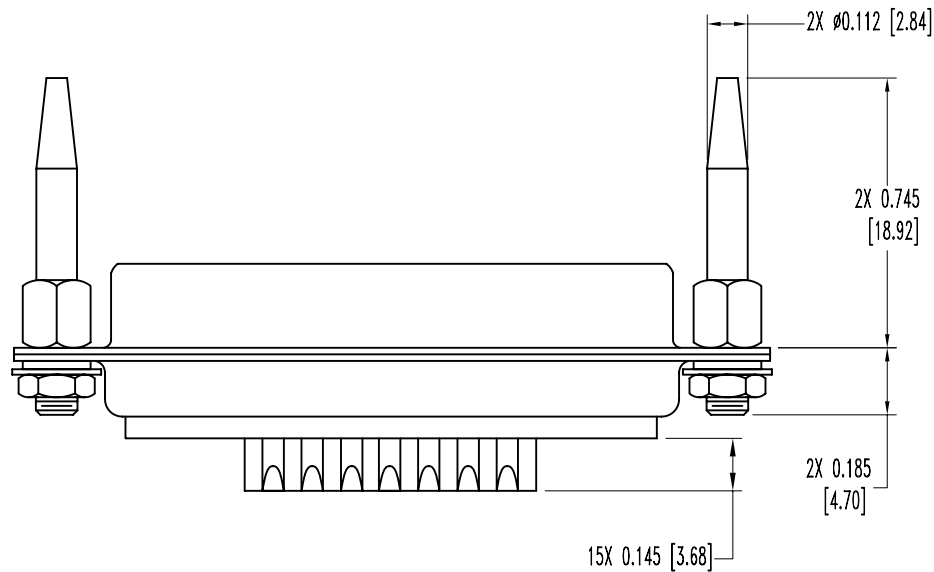
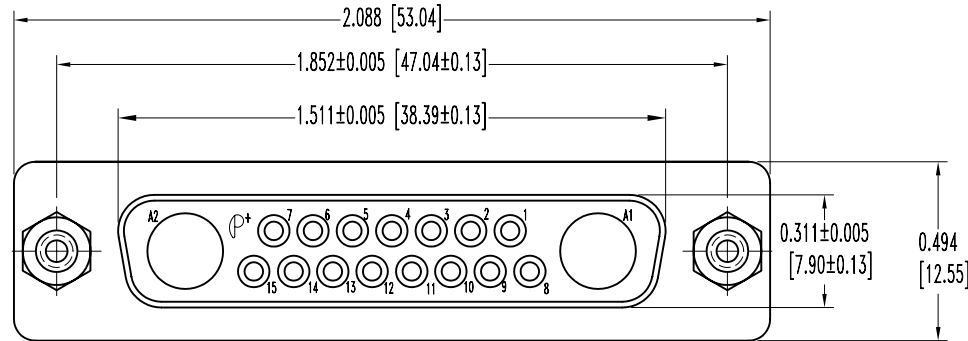


SK6298

POSITRONIC INDUSTRIES BELIEVES THE DATA ON THIS DRAWING TO BE RELIABLE. SINCE THE TECHNICAL INFORMATION IS GIVEN FREE OF CHARGE, THE USER EMPLOYS SUCH INFORMATION AT HIS OWN DISCRETION AND RISK. POSITRONIC INDUSTRIES ASSUMES NO RESPONSIBILITY FOR RESULTS OBTAINED OR DAMAGES INCURRED FROM USE OF SUCH INFORMATION IN WHOLE OR IN PART.

DATE	REV	REVISION RECORD	APP	DR	CK
7-7-05	NC	ECO 24313		YK	



NOTES:

1. MATERIALS AND FINISHES:

- INSULATOR: GLASS FILLED POLYESTER PER MIL-M-24519, UL 94V-0, BLUE COLOR.
- CONTACTS: PRECISION MACHINED HIGH TENSILE PHOSPHOR BRONZE, WITH GOLD FLASH OVER NICKEL PLATE.
- SHELLS: STEEL, ZINC PLATE WITH CHROMATE SEAL.
- BLIND MATE GUIDES: STEEL, ZINC PLATE WITH CHROMATE SEAL.

2. ELECTRICAL CHARACTERISTICS:

- INSULATION RESISTANCE: 7.5 G OHMS.
- INITIAL CONTACT RESISTANCE: 0.008 OHMS MAXIMUM.
- INSULATION RESISTANCE: 5 G OHMS.
- WORKING VOLTAGE: 300 V r.m.s.

3. TEMPERATURE RANGE: -55°C TO +125°C.

4. MOS 759.0 ALLOWS FOR BLIND MATE GUIDES TO BE INSTALLED.

5. CONNECTORS ARE ROHS COMPLIANT PER ROHS DIRECTIVE 2002/95/EC OF 27 JAN 2003.

6. DIMENSIONS ARE IN INCHES [MILLIMETERS].

	POSITRONIC INDUSTRIES INC. www.connectpositronic.com		SCALE	DRAWN BY
	CBM SERIES		N.T.S.	YK
DECIMAL TOL. ± 0.015 [0.38]	TITLE CBM17W2F20000/AA-759.0			
ANGULAR TOL. $\pm 5^\circ$	DATE	DRAWING NUMBER	REV.	
	7-7-05	SK6298	NC	