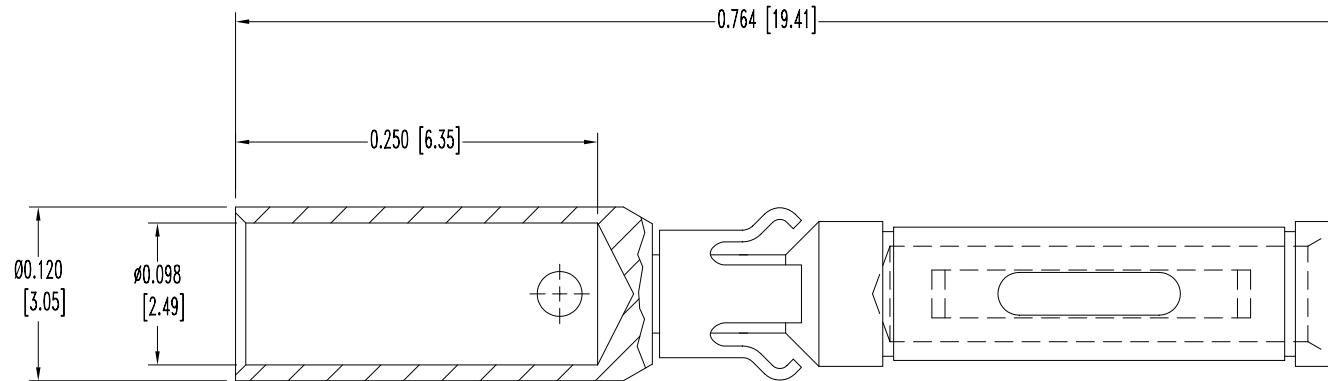


SK8378


POSITRONIC INDUSTRIES BELIEVES THE DATA ON THIS DRAWING TO BE RELIABLE. SINCE THE TECHNICAL INFORMATION IS GIVEN FREE OF CHARGE, THE USER EMPLOYS SUCH INFORMATION AT HIS OWN DISCRETION AND RISK. POSITRONIC INDUSTRIES ASSUMES NO RESPONSIBILITY FOR RESULTS OBTAINED OR DAMAGES INCURRED FROM USE OF SUCH INFORMATION IN WHOLE OR IN PART.

DATE	REV	REVISION RECORD	APP	DR	CK
3-5-07	NC	ECO 27568		YK	



NOTES:

- MATERIALS AND FINISHES:
 CONTACT: COPPER ALLOY, 0.000030 [0.75μ] GOLD OVER NICKEL FINISH.
 SPRING CLIP: BERYLLIUM COPPER, GOLD FLASH OVER NICKEL FINISH.
 RETAINER: BERYLLIUM COPPER, GOLD FLASH OVER NICKEL FINISH.
- CONTACTS ARE ROHS COMPLIANT PER ROHS DIRECTIVE 2002/95/EC OF 27 JAN 2003.
- DIMENSIONS ARE IN INCHES [MILLIMETERS].

 POSITRONIC INDUSTRIES INC. www.connectpositronic.com		SCALE		DRAWN BY	
DECIMAL TOL. ± 0.015 [0.38]		N.T.S.		YK	
TITLE PCS SERIES		APPROVED BY			
		FC112N2/AA-14			
ANGULAR TOL. ± 5°		DATE		REV.	
		3-5-07		NC	
		DRAWING NUMBER			
		SK8378			