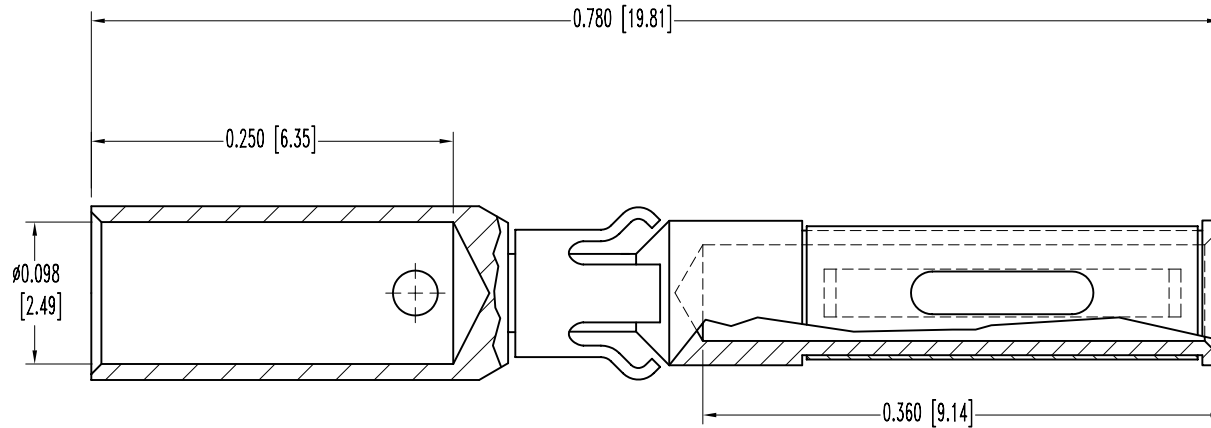


SK7041

POSITRONIC INDUSTRIES BELIEVES THE DATA ON THIS DRAWING TO BE RELIABLE. SINCE THE TECHNICAL INFORMATION IS GIVEN FREE OF CHARGE, THE USER EMPLOYS SUCH INFORMATION AT HIS OWN DISCRETION AND RISK. POSITRONIC INDUSTRIES ASSUMES NO RESPONSIBILITY FOR RESULTS OBTAINED OR DAMAGES INCURRED FROM USE OF SUCH INFORMATION IN WHOLE OR IN PART.

DATE	REV	REVISION RECORD	APP	DR	CK
2-10-06	NC	ECO 25489		ME	



NOTES:

- MATERIAL AND FINISHES:
 CONTACT: TELLURIUM COPPER, GOLD FLASH OVER NICKEL PLATE.
 SPRING CLIP: BERYLLIUM COPPER, GOLD FLASH OVER NICKEL PLATE.
 RETENTION RING: BERYLLIUM COPPER, GOLD FLASH OVER NICKEL PLATE.
- MOS 1565.0 ALLOWS FOR FEMALE CONTACTS TO HAVE AN OVERALL LENGTH OF 0.780 [19.81] AND A MATING DIAMETER DEPTH OF 0.360 [9.14].
- CONTACTS ARE ROHS COMPLIANT PER ROHS DIRECTIVE 2002/95/EC OF 27 JAN 2003.
- DIMENSIONS ARE IN INCHES [MILLIMETERS].

 POSITRONIC INDUSTRIES INC. www.connectpositronic.com		SCALE		DRAWN BY	
 DECIMAL TOL. ± 0.015 [0.38]		GMCT SERIES N.T.S.		M. ENEA APPROVED BY	
TITLE FC112N2S/AA-1565.0		DATE		REV.	
ANGULAR TOL. $\pm 5^\circ$		2-10-06		SK7041 NC	