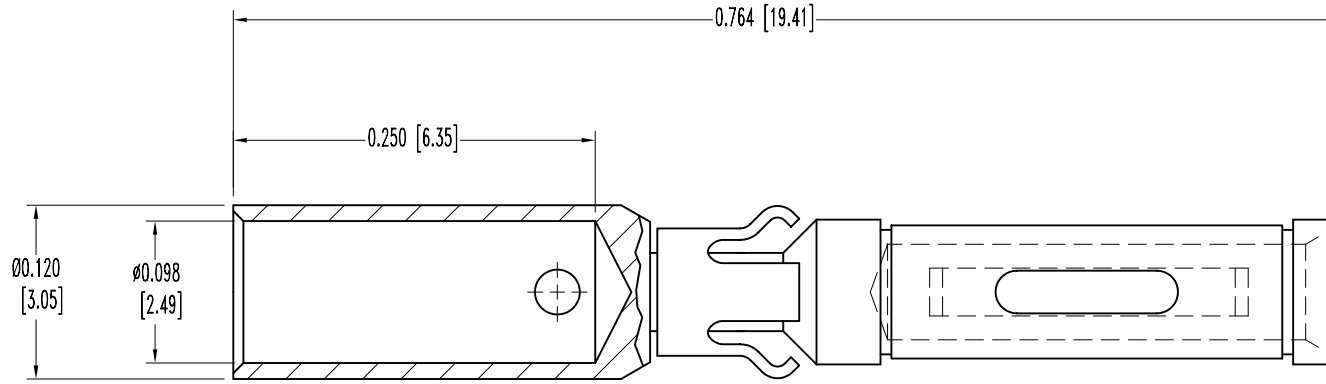


SK6144

POSITRONIC INDUSTRIES BELIEVES THE DATA ON THIS DRAWING TO BE RELIABLE. SINCE THE TECHNICAL INFORMATION IS GIVEN FREE OF CHARGE, THE USER EMPLOYS SUCH INFORMATION AT HIS OWN DISCRETION AND RISK. POSITRONIC INDUSTRIES ASSUMES NO RESPONSIBILITY FOR RESULTS OBTAINED OR DAMAGES INCURRED FROM USE OF SUCH INFORMATION IN WHOLE OR IN PART.

DATE	REV	REVISION RECORD	APP	DR	CK
4-15-05	NC	ECO 23958		YK	



NOTES:

1. MATERIAL AND FINISHES:

CONTACT: TELLURIUM COPPER, GOLD FLASH OVER NICKEL PLATE.

SPRING CLIP: BERYLLIUM COPPER, GOLD FLASH OVER NICKEL PLATE.

RETENTION RING: BERYLLIUM COPPER, GOLD FLASH OVER NICKEL PLATE.

2. ELECTRICAL CHARACTERISTICS:

CONTACT CURRENT RATING: 13 AMPERES MAXIMUM.

3. WORKING TEMPERATURE: -65°C TO 150°C.

4. DIMENSIONS ARE IN INCHES [MILLIMETERS].

		POSITRONIC INDUSTRIES INC. www.connectpositronic.com	
		GMCT SERIES	SCALE N.T.S.
DECIMAL TOL. ± 0.015 [0.38]	TITLE FC112N2S		
ANGULAR TOL. $\pm 5^\circ$	DATE 4-15-05	DRAWING NUMBER SK6144	REV. NC