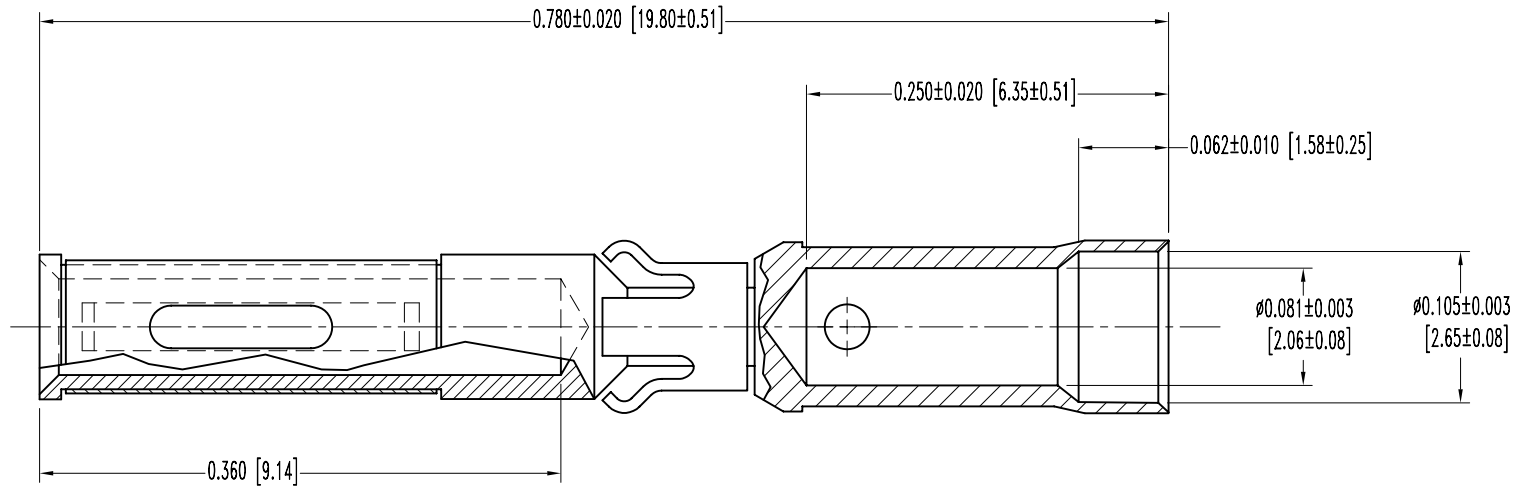


SK7009

POSITRONIC INDUSTRIES BELIEVES THE DATA ON THIS DRAWING TO BE RELIABLE. SINCE THE TECHNICAL INFORMATION IS GIVEN FREE OF CHARGE, THE USER EMPLOYS SUCH INFORMATION AT HIS OWN DISCRETION AND RISK. POSITRONIC INDUSTRIES ASSUMES NO RESPONSIBILITY FOR RESULTS OBTAINED OR DAMAGES INCURRED FROM USE OF SUCH INFORMATION IN WHOLE OR IN PART.

DATE	REV	REVISION RECORD	APP	DR	CK
2-6-06	NC	ECO 25464		ME	



NOTES:

- MATERIAL AND FINISHES:
 CONTACT: PRECISIONED MACHINED COPPER ALLOY WITH 0.000030 [0.76µ] GOLD OVER NICKEL.
 RETENTION RING: BERYLLIUM COPPER, GOLD FLASH OVER NICKEL PLATE.
 SPRING CLIP: BERYLLIUM COPPER, GOLD FLASH OVER NICKEL PLATE.
- THIS MOS ALLOWS FOR FEMALE CONTACTS TO HAVE AN OVERALL LENGTH OF 0.780 [19.81] AND A MATING DIAMETER DEPTH OF 0.360 [9.14].
- CONTACTS ARE ROHS COMPLIANT PER ROHS DIRECTIVE 2002/95/EC OF 27 JAN 2003.
- DIMENSIONS ARE IN INCHES [MILLIMETERS]

 POSITRONIC INDUSTRIES INC. www.connectpositronic.com		SCALE		DRAWN BY	
DECIMAL TOL. ± 0.015 [0.38]		N.T.S.		M. ENEA	
TITLE FC114N2/AA-14-1565.0		APPROVED BY			
DATE 2-6-06		DRAWING NUMBER		REV.	
ANGULAR TOL. ±		SK7009		NC	