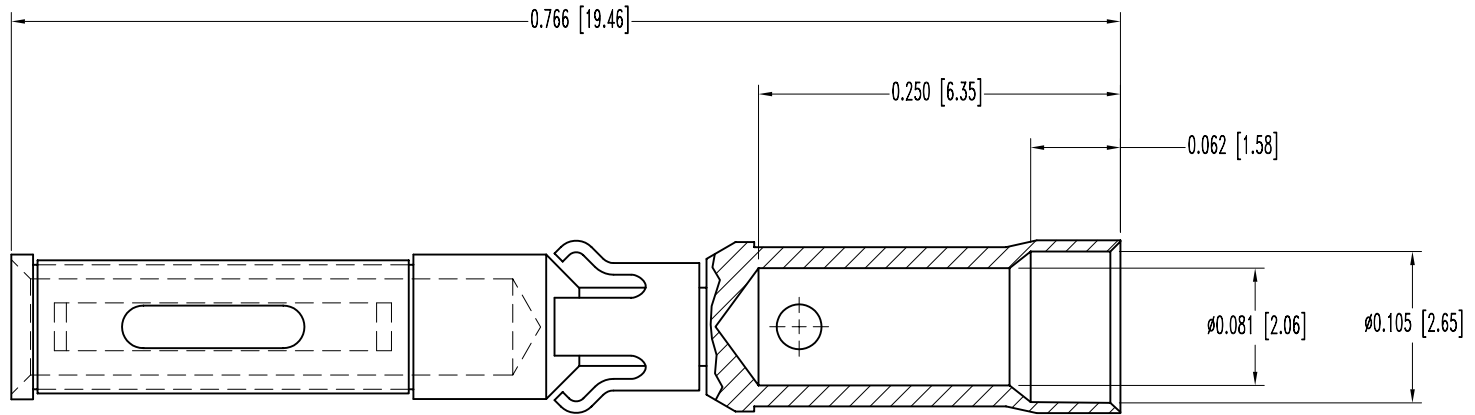



SK7580

POSITRONIC INDUSTRIES BELIEVES THE DATA ON THIS DRAWING TO BE RELIABLE. SINCE THE TECHNICAL INFORMATION IS GIVEN FREE OF CHARGE, THE USER EMPLOYS SUCH INFORMATION AT HIS OWN DISCRETION AND RISK. POSITRONIC INDUSTRIES ASSUMES NO RESPONSIBILITY FOR RESULTS OBTAINED OR DAMAGES INCURRED FROM USE OF SUCH INFORMATION IN WHOLE OR IN PART.

DATE	REV	REVISION RECORD	APP	DR	CK
6-12-06	NC	ECO 26134		YK	



- NOTES:
- MATERIAL AND FINISHES:
 CONTACT: COPPER ALLOY, 0.000030 [0.76µ] GOLD OVER NICKEL PLATE.
 RETENTION RING: BERYLLIUM COPPER, GOLD FLASH OVER NICKEL PLATE.
 SPRING CLIP: BERYLLIUM COPPER, GOLD FLASH OVER NICKEL PLATE.
 - CONTACTS ARE ROHS COMPLIANT PER ROHS DIRECTIVE 2002/95/EC OF 27 JAN 2003.
 - DIMENSIONS ARE IN INCHES [MILLIMETERS]

 POSITRONIC INDUSTRIES INC. www.connectpositronic.com		SCALE		DRAWN BY	
DECIMAL TOL. ± 0.015 [0.38]		PCS SERIES		N.T.S.	
ANGULAR TOL. ± 5°		DATE		REV.	
		6-12-06		NC	
TITLE		DRAWING NUMBER		APPROVED BY	
FC114N2/AA-14		SK7580		YK	