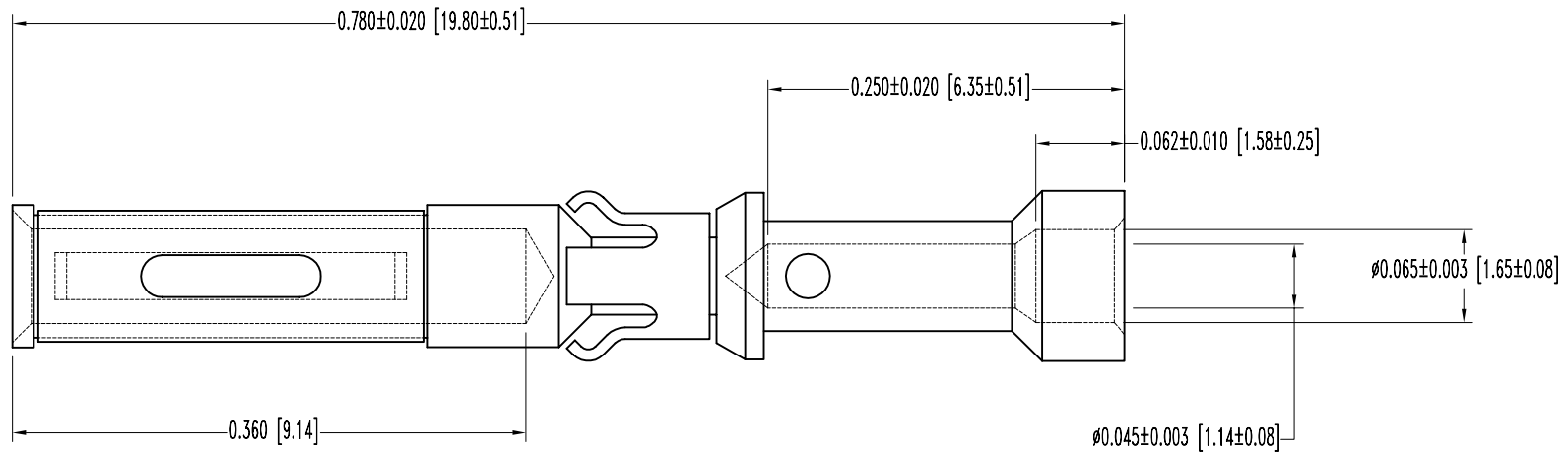


SK4846


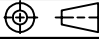
POSITRONIC INDUSTRIES BELIEVES THE DATA ON THIS DRAWING TO BE RELIABLE. SINCE THE TECHNICAL INFORMATION IS GIVEN FREE OF CHARGE, THE USER EMPLOYS SUCH INFORMATION AT HIS OWN DISCRETION AND RISK. POSITRONIC INDUSTRIES ASSUMES NO RESPONSIBILITY FOR RESULTS OBTAINED OR DAMAGES INCURRED FROM USE OF SUCH INFORMATION IN WHOLE OR IN PART.

DATE	REV	REVISION RECORD	APP	DR	CK
11-22-02	NC	ECO 20296		YK	



NOTES:

1. MATERIAL: COPPER ALLOY
2. FINISH:  $0.000030$  [ $0.75\mu$ ] GOLD OVER NICKEL OVER COPPER PLATE.  
SPRING CLIP: BERYLLIUM COPPER, GOLD FLASH
3. THIS MOS ALLOWS FOR FEMALE CONTACTS TO HAVE AN OVERALL LENGTH OF  $0.780$  [19.81] AND A MATING DIAMETER DEPTH OF  $0.360$  [9.14].
3. DIMENSIONS ARE IN INCHES [MILLIMETERS]

 <b>POSITRONIC INDUSTRIES INC.</b> <a href="http://www.connectpositronic.com">www.connectpositronic.com</a>		SCALE		DRAWN BY	
 DECIMAL TOL. $\pm 0.015(0.38)$		N.T.S.		Y.KELLEYBREW	
WF # 4939		TITLE <b>FC120N2-14-1565.0</b>			
ANGULAR TOL. $\pm$		DATE <b>11-22-02</b>	DRAWING NUMBER <b>SK4846</b>		REV. <b>NC</b>