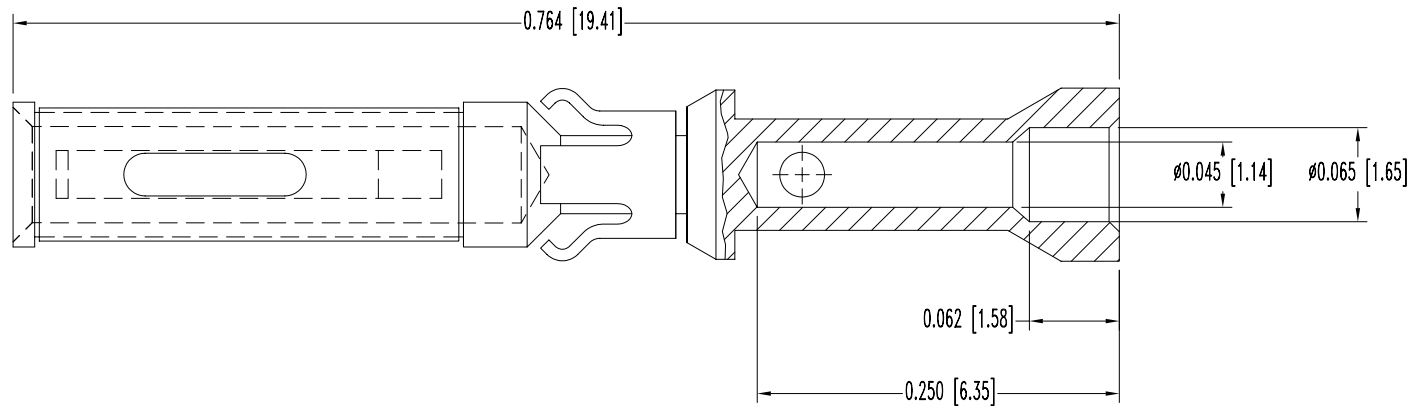


SK8355

POSITRONIC INDUSTRIES BELIEVES THE DATA ON THIS DRAWING TO BE RELIABLE. SINCE THE TECHNICAL INFORMATION IS GIVEN FREE OF CHARGE, THE USER EMPLOYS SUCH INFORMATION AT HIS OWN DISCRETION AND RISK. POSITRONIC INDUSTRIES ASSUMES NO RESPONSIBILITY FOR RESULTS OBTAINED OR DAMAGES INCURRED FROM USE OF SUCH INFORMATION IN WHOLE OR IN PART.

DATE	REV	REVISION RECORD	APP	DR	CK
2-26-07	NC	ECO 27538		YK	



NOTES:


1. MATERIALS AND FINISHES:

CONTACT: COPPER ALLOY, 0.000030 [0.76µ] GOLD OVER NICKEL PLATE.

SPRING CLIP: BERYLLIUM COPPER, GOLD FLASH OVER NICKEL PLATE.

RETAINER: BERYLLIUM COPPER, GOLD FLASH OVER NICKEL PLATE.

2. DIMENSIONS ARE IN INCHES [MILLIMETERS].

 POSITRONIC INDUSTRIES INC. www.connectpositronic.com		SCALE N.T.S.		DRAWN BY YK	
DECIMAL TOL. ± 0.015 [0.38]		RECTANGULAR/POWER SERIES		APPROVED BY	
TITLE FC120N2-14					
ANGULAR TOL. ± 5°		DATE 2-26-07		DRAWING NUMBER SK8355	
					REV. NC