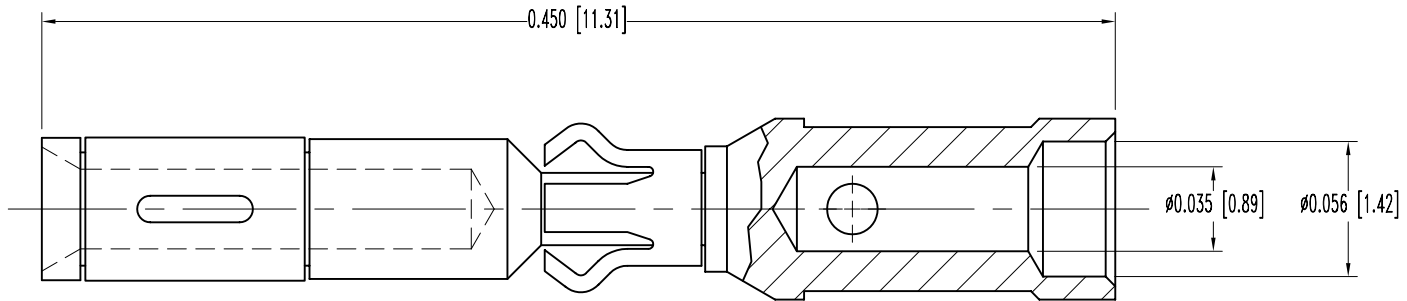


SK6933

POSITRONIC INDUSTRIES BELIEVES THE DATA ON THIS DRAWING TO BE RELIABLE, SINCE THE TECHNICAL INFORMATION IS GIVEN FREE OF CHARGE, THE USER EMPLOYS SUCH INFORMATION AT HIS OWN DISCRETION AND RISK. POSITRONIC INDUSTRIES ASSUMES NO RESPONSIBILITY FOR RESULTS OBTAINED OR DAMAGES INCURRED FROM USE OF SUCH INFORMATION IN WHOLE OR IN PART.

DATE	REV	REVISION RECORD	APP	DR	CK
1-10-06	NC	ECO 25328		YK	



NOTES:

- MATERIALS AND FINISHES:  
CONTACT: COPPER ALLOY GOLD FLASH OVER NICKEL PLATE.
- ELECTRICAL CHARACTERISTICS:  
CONTACT CURRENT RATING: 5 AMPERES NOMINAL.  
INITIAL CONTACT RESISTANCE: 0.012 OHMS.
- WORKING TEMPERATURE: -55° TO 135°C.
- DIMENSIONS ARE IN INCHES [MILLIMETERS].

 <b>POSITRONIC INDUSTRIES INC.</b> www.connectpositronic.com		SCALE	DRAWN BY
		N.T.S.	YK
DECIMAL TOL.	SGMC SERIES	APPROVED BY	
± 0.015 [0.38]	TITLE	FC422N2/AA	
ANGULAR TOL.	DATE	DRAWING NUMBER	REV.
± 2°	1-10-06	SK6933	NC