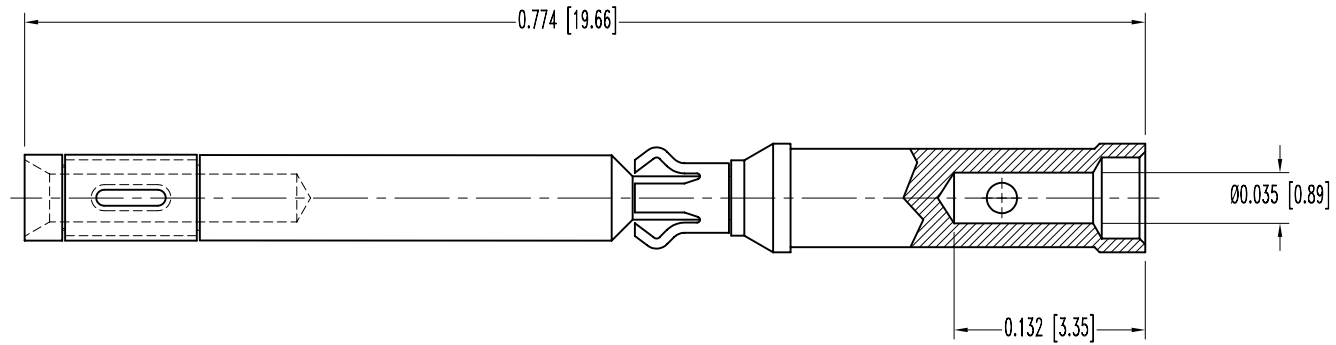


SK6665


POSITRONIC INDUSTRIES BELIEVES THE DATA ON THIS DRAWING TO BE RELIABLE. SINCE THE TECHNICAL INFORMATION IS GIVEN FREE OF CHARGE, THE USER EMPLOYS SUCH INFORMATION AT HIS OWN DISCRETION AND RISK. POSITRONIC INDUSTRIES ASSUMES NO RESPONSIBILITY FOR RESULTS OBTAINED OR DAMAGES INCURRED FROM USE OF SUCH INFORMATION IN WHOLE OR IN PART.

| DATE | | REV | REVISION RECORD | APP | DR | CK |
|-------|----|-----|-----------------|-----|----|------|
| 10-24 | 05 | NC | ECO 24905 | RCW | YK | COLE |
| 12-21 | 06 | A | ECO 27220 | | YK | |
| | | | | | | |
| | | | | | | |



NOTES:

- MATERIALS AND FINISHES:
 CONTACT: COPPER ALLOY, GOLD FLASH OVER NICKEL PLATE.
 SPRING CLIP: BERYLLIUM COPPER, GOLD FLASH OVER NICKEL PLATE.
 RETAINER: BERYLLIUM COPPER, GOLD FLASH OVER NICKEL PLATE.
- CONTACTS ARE ROHS COMPLIANT PER ROHS DIRECTIVE 2002/95/EC OF 27 JAN 2003.
- DIMENSIONS ARE IN INCHES [MILLIMETERS].

| | | | | | |
|--|--|---------------------|--|--------------------------|--|
|  POSITRONIC INDUSTRIES INC. www.connectpositronic.com | | SCALE N.T.S. | | DRAWN BY YK | |
| DECIMAL TOL. ± 0.015 [0.38] | | CIRCULAR SERIES | | APPROVED BY RCW | |
| | | TITLE FC422N6/AA | | | |
| ANGULAR TOL. ± 5° | | DATE 10-24-05 | | DRAWING NUMBER SK6665 | |
| | | | | REV. A | |