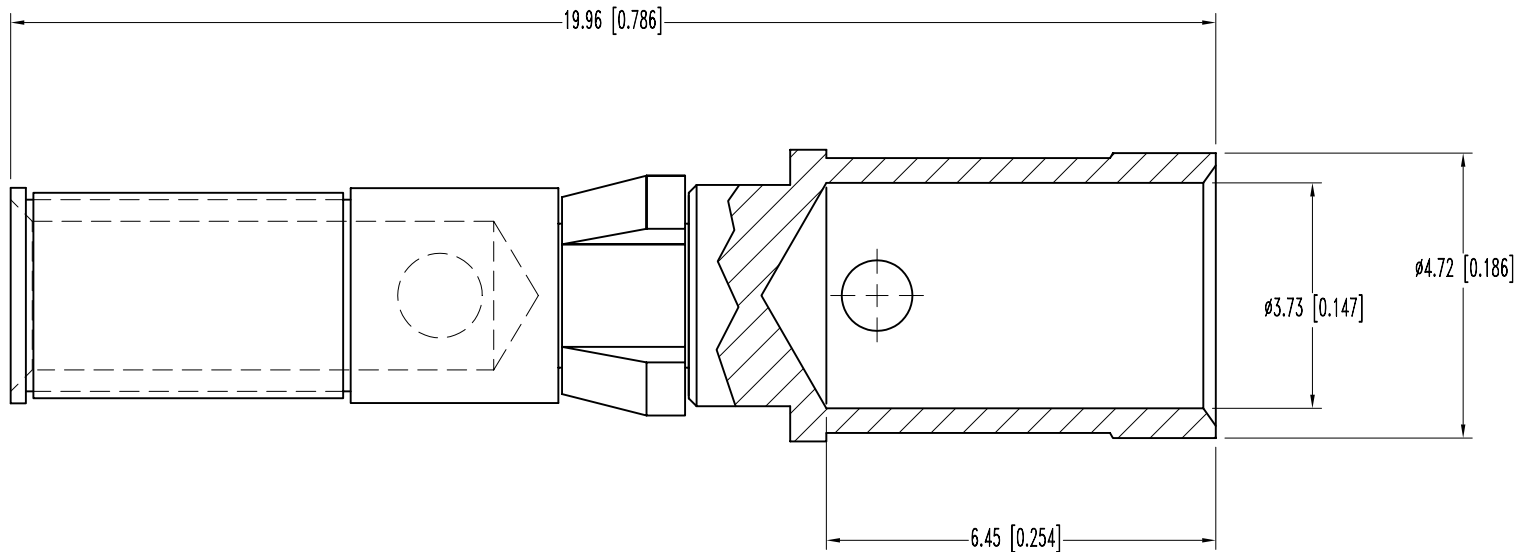


SK7225


POSITRONIC INDUSTRIES BELIEVES THE DATA ON THIS DRAWING TO BE RELIABLE. SINCE THE TECHNICAL INFORMATION IS GIVEN FREE OF CHARGE, THE USER EMPLOYS SUCH INFORMATION AT HIS OWN DISCRETION AND RISK. POSITRONIC INDUSTRIES ASSUMES NO RESPONSIBILITY FOR RESULTS OBTAINED OR DAMAGES INCURRED FROM USE OF SUCH INFORMATION IN WHOLE OR IN PART.

DATE	REV	REVISION RECORD	APP	DR	CK
3-29-06	NC	ECO 25721		YK	



NOTES:

- MATERIALS AND FINISHES:
 CONTACT: BRASS, GOLD FLASH OVER NICKEL.
 RETENTION CLIP: BERYLLIUM COPPER, GOLD FLASH OVER NICKEL.
 SPRING CLIP: BERYLLIUM COPPER, GOLD FLASH OVER NICKEL.
- CONTACTS ARE ROHS COMPLIANT PER ROHS DIRECTIVE 2002/95/EC OF 27 JAN 2003.
- DIMENSIONS ARE IN MILLIMETERS [INCHES].

 POSITRONIC INDUSTRIES INC. www.connectpositronic.com		SCALE	DRAWN BY
		N.T.S.	YK
DECIMAL TOL.	INFINITY SERIES	APPROVED BY	
± 0.38 [0.015]	TITLE	FC610N2/AA	
ANGULAR TOL.	DATE	DRAWING NUMBER	REV.
± 5°	3-29-06	SK7225	NC