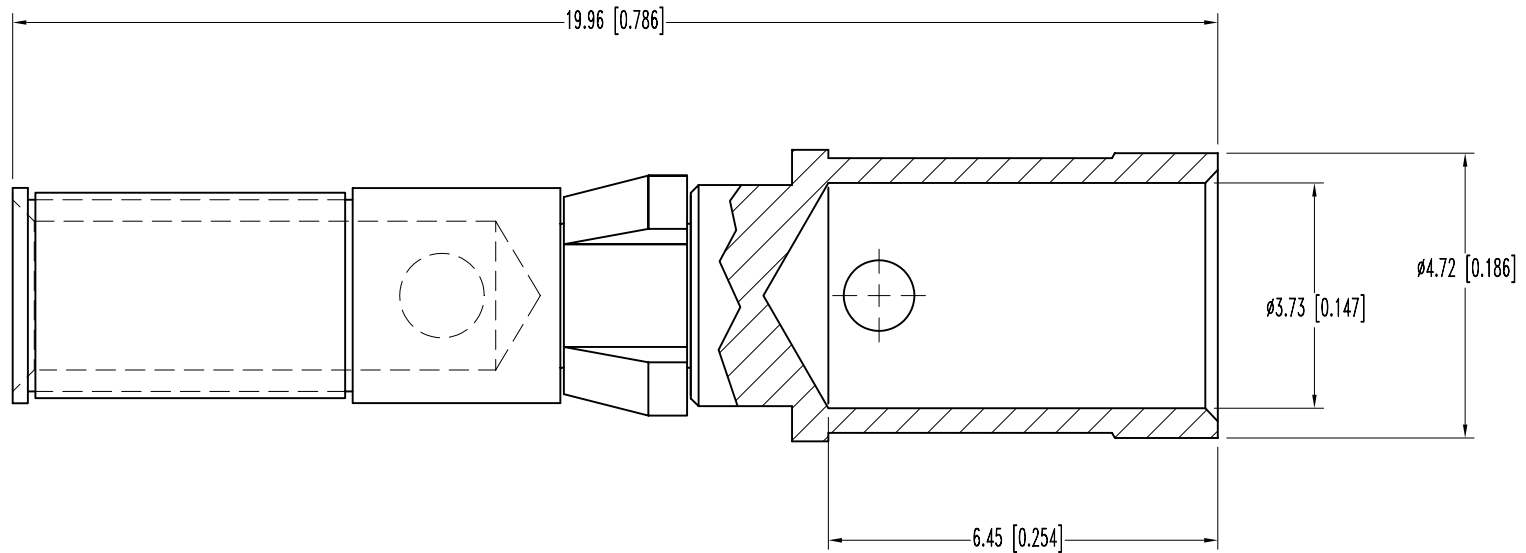


SK7860

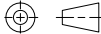
POSITRONIC INDUSTRIES BELIEVES THE DATA ON THIS DRAWING TO BE RELIABLE. SINCE THE TECHNICAL INFORMATION IS GIVEN FREE OF CHARGE, THE USER EMPLOYS SUCH INFORMATION AT HIS OWN DISCRETION AND RISK. POSITRONIC INDUSTRIES ASSUMES NO RESPONSIBILITY FOR RESULTS OBTAINED OR DAMAGES INCURRED FROM USE OF SUCH INFORMATION IN WHOLE OR IN PART.

DATE	REV	REVISION RECORD	APP	DR	CK
8-10-06	NC	ECO 26492		YK	



NOTES:

- MATERIALS AND FINISHES:
 CONTACT: TELLURIUM COPPER, GOLD FLASH OVER NICKEL PLATE.
 RETENTION CLIP: BERYLLIUM COPPER, GOLD FLASH OVER NICKEL PLATE.
 SPRING CLIP: BERYLLIUM COPPER, GOLD FLASH OVER NICKEL PLATE.
- CONTACTS ARE ROHS COMPLIANT PER ROHS DIRECTIVE 2002/95/EC OF 27 JAN 2003.
- DIMENSIONS ARE IN MILLIMETERS [INCHES].

 POSITRONIC INDUSTRIES INC. www.connectpositronic.com		SCALE		DRAWN BY	
 INFINITY SERIES		N.T.S.		YK	
DECIMAL TOL. ± 0.38 [0.015]		TITLE FC610N2S/AA			
ANGULAR TOL. $\pm 5^\circ$		DATE		REV.	
		8-10-06		NC	
		DRAWING NUMBER			
		SK7860			