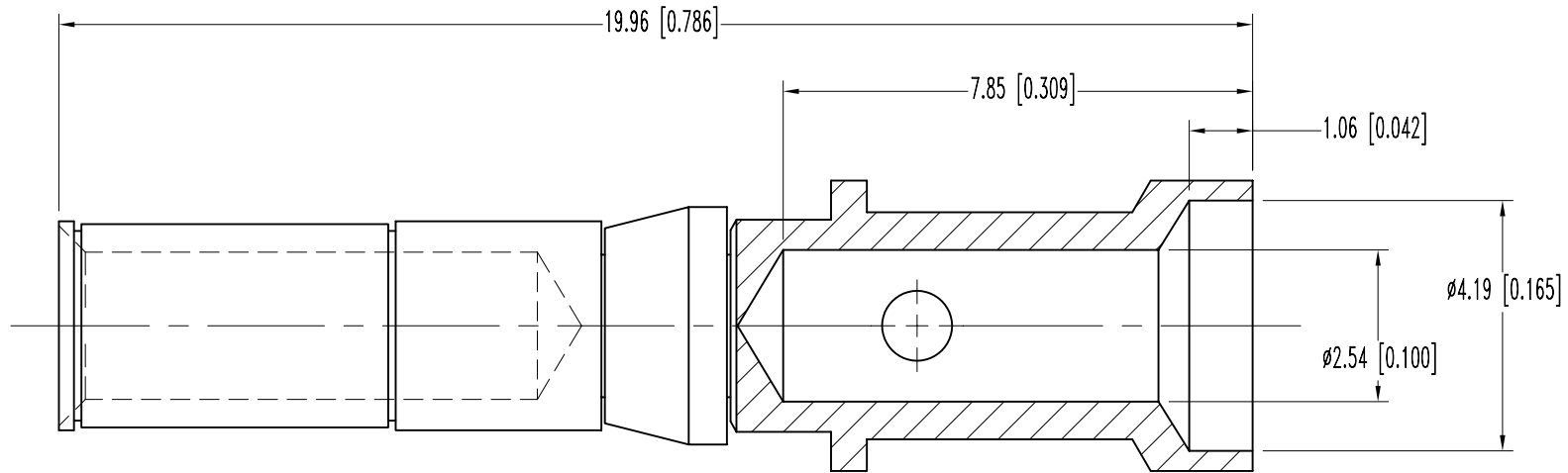


SK7346


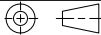
POSITRONIC INDUSTRIES BELIEVES THE DATA ON THIS DRAWING TO BE RELIABLE. SINCE THE TECHNICAL INFORMATION IS GIVEN FREE OF CHARGE, THE USER EMPLOYS SUCH INFORMATION AT HIS OWN DISCRETION AND RISK. POSITRONIC INDUSTRIES ASSUMES NO RESPONSIBILITY FOR RESULTS OBTAINED OR DAMAGES INCURRED FROM USE OF SUCH INFORMATION IN WHOLE OR IN PART.

DATE	REV	REVISION RECORD	APP	DR	CK
5-9-06	NC	ECO 25932		YK	



NOTES:

- MATERIALS AND FINISHES:
CONTACT: PRECISION MACHINED COPPER ALLOY, GOLD FLASH OVER NICKEL PLATE.
RETENTION CLIP: BERYLLIUM COPPER, GOLD FLASH OVER NICKEL PLATE.
- ELECTRICAL CHARACTERISTICS:
CURRENT RATING: 40 AMPERES CONTINUOUS.
INITIAL CONTACT RESISTANCE: 0.001 OHMS. MAX., PER IEC 512-2 TEST 2b.
- WORKING TEMPERATURE: -55°C TO +125°C.
- CONTACTS ARE ROHS COMPLIANT PER ROHS DIRECTIVE 2002/95/EC OF 27 JAN 2003.
- DIMENSIONS ARE IN MILLIMETERS [INCHES].

 POSITRONIC INDUSTRIES INC. www.connectpositronic.com		SCALE		DRAWN BY	
 DECIMAL TOL. $\pm 0.015 [0.38]$		INFINITY/PCS SERIES		N.T.S.	
TITLE FC612N2/AA		DATE 5-9-06		DRAWING NUMBER SK7346	
ANGULAR TOL. $\pm 5^\circ$		REV. NC		APPROVED BY YK	