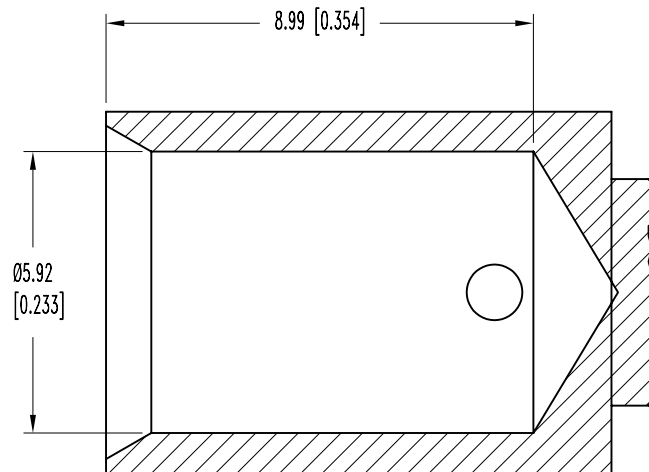
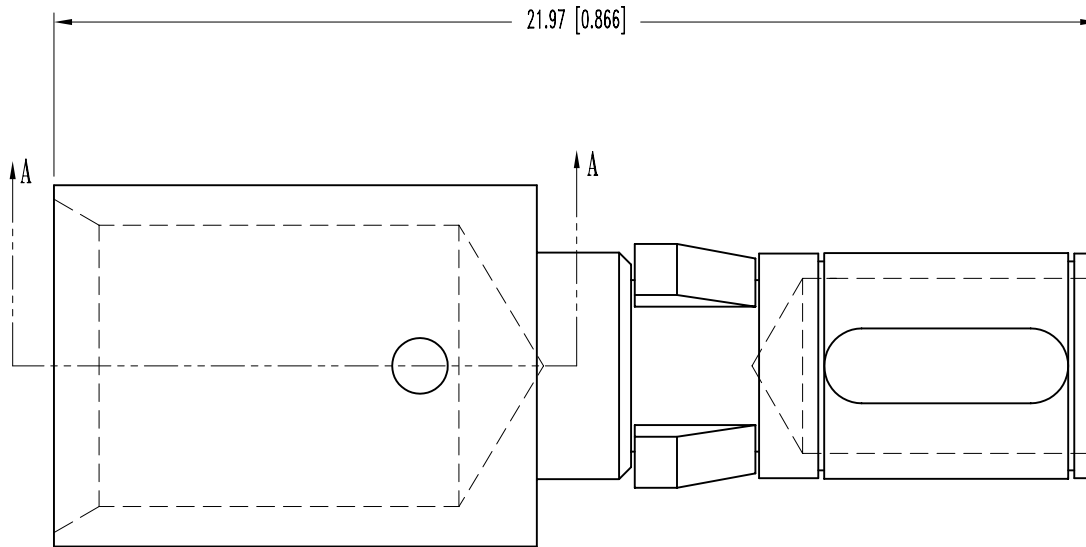


SK6860

POSITRONIC INDUSTRIES BELIEVES THE DATA ON THIS DRAWING TO BE RELIABLE. SINCE THE TECHNICAL INFORMATION IS GIVEN FREE OF CHARGE, THE USER EMPLOYS SUCH INFORMATION AT HIS OWN DISCRETION AND RISK. POSITRONIC INDUSTRIES ASSUMES NO RESPONSIBILITY FOR RESULTS OBTAINED OR DAMAGES INCURRED FROM USE OF SUCH INFORMATION IN WHOLE OR IN PART.

DATE	REV	REVISION RECORD	APP	DR	CK
12-21-05	NC	ECO 25233		ME	



SECTION A-A

NOTES:

- MATERIAL AND FINISHES:  
CONTACT: COPPER ALLOY, GOLD FLASH OVER NICKEL PLATE.  
RETENTION RING: BERYLLIUM COPPER WITH NICKEL PLATE.
- ELECTRICAL CHARACTERISTICS:  
CONTACT CURRENT RATING: 60 AMPERES, CONTINUOUS.  
INITIAL CONTACT RESISTANCE MAXIMUM: 0.005 OHMS, PER IEC 512-2, TEST 2b.
- CONTACTS ARE ROHS COMPLIANT PER ROHS DIRECTIVE 2002/95/EC OF 27 JAN 2003.
- WORKING TEMPERATURE: -55°C TO +125°C.
- DIMENSIONS ARE IN MILLIMETERS [INCHES].

	<b>POSITRONIC INDUSTRIES INC.</b> www.connectpositronic.com		SCALE	DRAWN BY
	INFINITY SERIES		N.T.S.	M. ENEA
DECIMAL TOL. ± 0.38 [0.015]	TITLE FC4006D/AA		APPROVED BY	
ANGULAR TOL. ± 5°	DATE 12-21-05	DRAWING NUMBER SK6860	REV.	NC