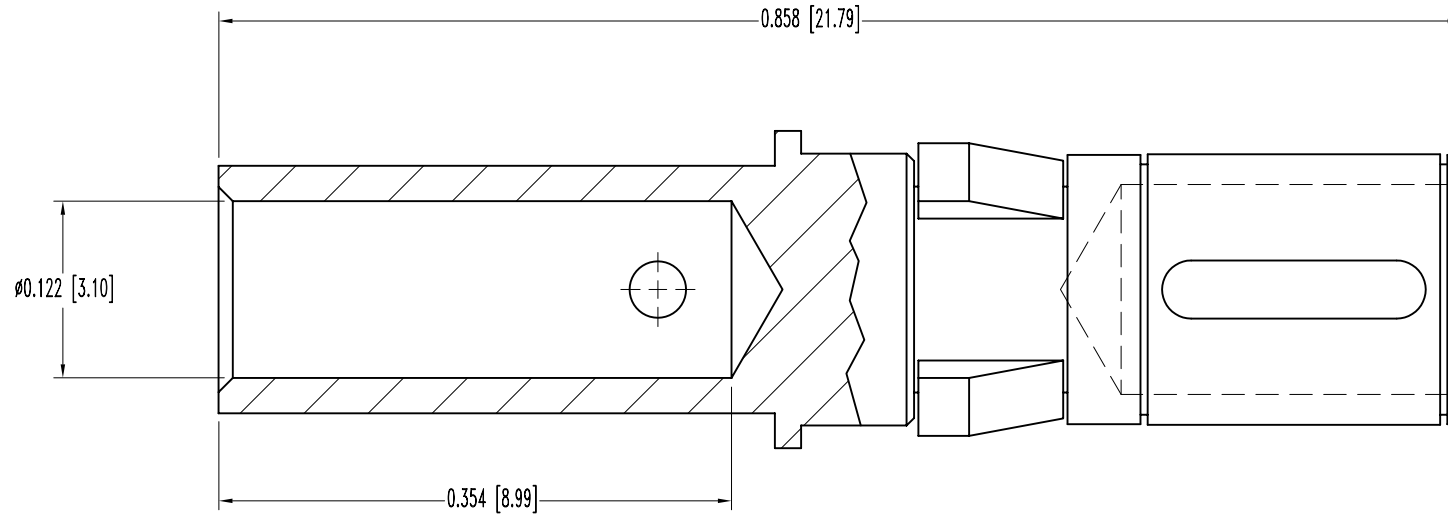


SK6991


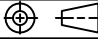
POSITRONIC INDUSTRIES BELIEVES THE DATA ON THIS DRAWING TO BE RELIABLE. SINCE THE TECHNICAL INFORMATION IS GIVEN FREE OF CHARGE, THE USER EMPLOYS SUCH INFORMATION AT HIS OWN DISCRETION AND RISK. POSITRONIC INDUSTRIES ASSUMES NO RESPONSIBILITY FOR RESULTS OBTAINED OR DAMAGES INCURRED FROM USE OF SUCH INFORMATION IN WHOLE OR IN PART.

DATE	REV	REVISION RECORD	APP	DR	CK
1-25-06	NC	ECO 25401		YK	



NOTES:

- MATERIAL AND FINISHES:  
CONTACT: PRECISION-MACHINED COPPER ALLOY, GOLD FLASH OVER NICKEL PLATE.
- ELECTRICAL CHARACTERISTICS:  
CONTACT CURRENT RATING: 30 AMPERES NOMINAL.  
INITIAL CONTACT RESISTANCE: 0.0005 OHMS MAXIMUM PER IEC 512-2, TEST 2b.  
WORKING TEMPERATURE: -55°C TO +125°C.
- CONTACTS ARE ROHS COMPLIANT PER ROHS DIRECTIVE 2002/95/EC OF 27 JAN 2003.
- DIMENSIONS ARE IN INCHES [MILLIMETERS].

 <b>POSITRONIC INDUSTRIES INC.</b> <a href="http://www.connectpositronic.com">www.connectpositronic.com</a>		SCALE		DRAWN BY	
 DECIMAL TOL. $\pm 0.015$ [0.38]		N.T.S.		YK	
 ANGULAR TOL. $\pm 5^\circ$		TITLE <b>FC4010D/AA</b>		APPROVED BY	
DATE		DRAWING NUMBER		REV.	
1-25-06		SK6991		NC	