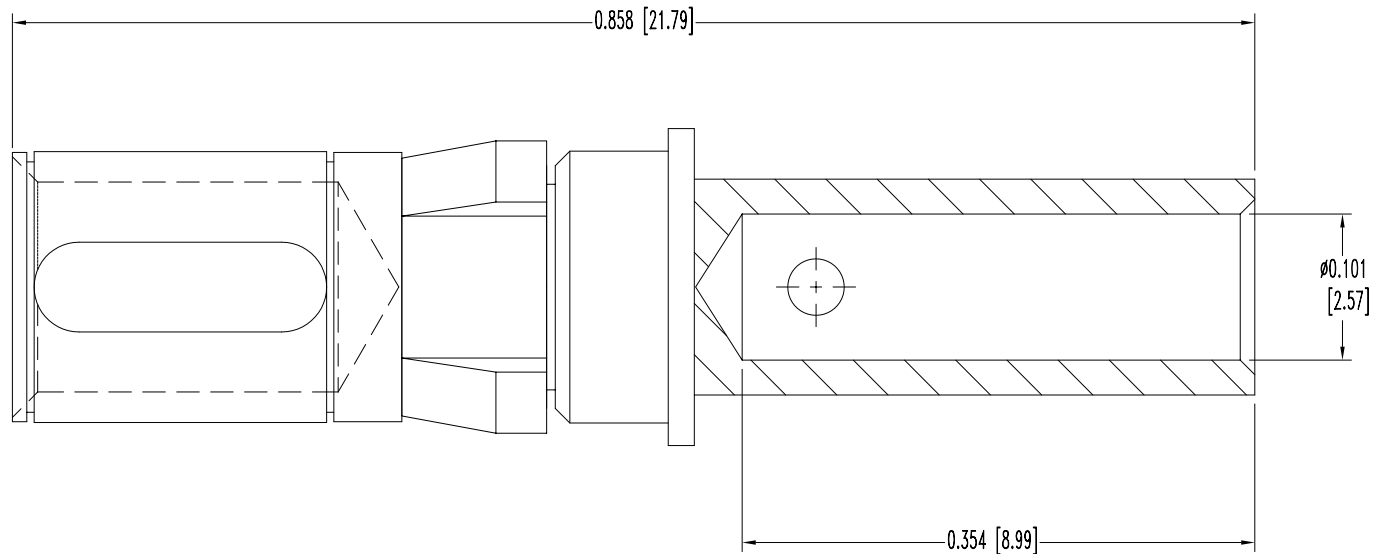


SK8712


POSITRONIC INDUSTRIES BELIEVES THE DATA ON THIS DRAWING TO BE RELIABLE. SINCE THE TECHNICAL INFORMATION IS GIVEN FREE OF CHARGE, THE USER EMPLOYS SUCH INFORMATION AT HIS OWN DISCRETION AND RISK. POSITRONIC INDUSTRIES ASSUMES NO RESPONSIBILITY FOR RESULTS OBTAINED OR DAMAGES INCURRED FROM USE OF SUCH INFORMATION IN WHOLE OR IN PART.

DATE	REV	REVISION RECORD	APP	DR	CK
7-2-07	NC	ECO 28118		YK	



NOTES:

1. MATERIAL & FINISHES:
 CONTACT: HIGH CONDUCTIVITY COPPER ALLOY, GOLD FLASH OVER NICKEL FINISH.
 RETENTION RING: BERYLLIUM COPPER, NICKEL PLATE.
2. ELECTRICAL CHARACTERISTICS:
 CONTACT CURRENT RATING: 20 AMPERES NOMINAL.
 INITIAL CONTACT RESISTANCE: 0.0005 OHMS MAX.
3. WORKING TEMPERATURE: -55°C TO +125°C.
4. CONTACTS ARE ROHS COMPLIANT PER ROHS DIRECTIVE 2002/95/EC OF 27 JAN 2003.
5. DIMENSIONS ARE IN INCHES [MILLIMETERS].

	POSITRONIC INDUSTRIES INC. www.connectpositronic.com		FSCM 28198
	DECIMAL TOL. ± 0.015 [0.38]	CBD SERIES	SCALE N.T.S.
ANGULAR TOL. ± 5°	DATE 7-2-07	DRAWING NUMBER SK8712	REV. NC
TITLE FC4012D/AA		APPROVED BY	