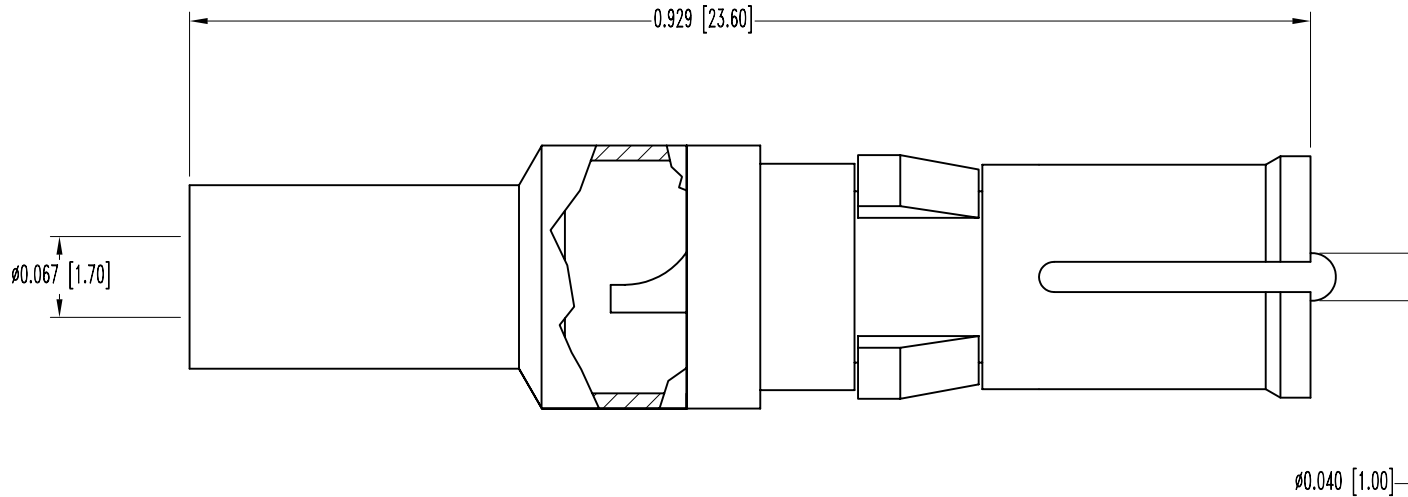


SK6758

POSITRONIC INDUSTRIES BELIEVES THE DATA ON THIS DRAWING TO BE RELIABLE. SINCE THE TECHNICAL INFORMATION IS GIVEN FREE OF CHARGE, THE USER EMPLOYS SUCH INFORMATION AT HIS OWN DISCRETION AND RISK. POSITRONIC INDUSTRIES ASSUMES NO RESPONSIBILITY FOR RESULTS OBTAINED OR DAMAGES INCURRED FROM USE OF SUCH INFORMATION IN WHOLE OR IN PART.

DATE	REV	REVISION RECORD	APP	DR	CK
11-29-05	NC	ECO 25113		YK	



NOTES:

1. MATERIAL: COPPER ALLOY WITH PTFE TEFLON INSULATOR.
2. FINISH: SIGNAL CONTACT-0.000030 [0.75μ] GOLD OVER NICKEL. CONTACT BODY-GOLD FLASH OVER NICKEL.
3. ELECTRICAL CHARACTERISTICS:
 INITIAL CONTACT RESISTANCE: 0.008 OHMS MAXIMUM.
 NOMINAL IMPEDANCE: 50 OHMS.
 INSERTION LOSS: -0.46dB AT 1 GHz
 -1.5 dB AT 2 GHz
 VSWR: 1.15 AVERAGE AT 1 GHz
 1.56 AVERAGE AT 2 GHz
 PROOF VOLTAGE: 1000 V r.m.s.
 TEMPERATURE RANGE: -55°C TO +125°C.
4. CONTACTS ARE ROHS COMPLIANT PER ROHS DIRECTIVE 2002/95/EC OF 27 JAN 2003.
5. DIMENSIONS ARE IN INCHES [MILLIMETERS].

 POSITRONIC INDUSTRIES INC. www.connectpositronic.com		SCALE		DRAWN BY	
DECIMAL TOL. ± 0.015 [0.38]		CBD SERIES		N.T.S.	
ANGULAR TOL. ± 5°		DATE 11-29-05		DRAWING NUMBER SK6758	
TITLE FC4102D/AA		APPROVED BY		YK	
		REV.		NC	