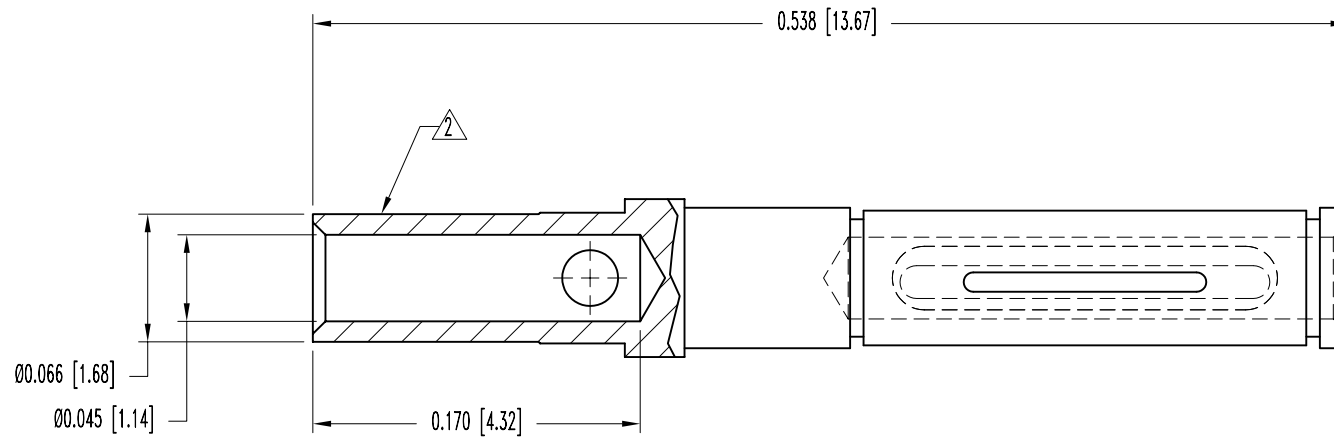


SK5960


POSITRONIC INDUSTRIES BELIEVES THE DATA ON THIS DRAWING TO BE RELIABLE. SINCE THE TECHNICAL INFORMATION IS GIVEN FREE OF CHARGE, THE USER EMPLOYS SUCH INFORMATION AT HIS OWN DISCRETION AND RISK. POSITRONIC INDUSTRIES ASSUMES NO RESPONSIBILITY FOR RESULTS OBTAINED OR DAMAGES INCURRED FROM USE OF SUCH INFORMATION IN WHOLE OR IN PART.

DATE	REV	REVISION RECORD	APP	DR	CK
1-31-05	NC	ECO 23593		YK	



NOTES:

1. MATERIAL AND FINISHES:  
CONTACT: ALUMEL.  
SPRING CLIP: BERYLLIUM COPPER, GOLD FLASH OVER NICKEL PLATE.
2. PERMANENTLY MARK CONTACT WITH A GREEN IDENTIFICATION BAND.
3. DIMENSIONS ARE IN INCHES [MILLIMETERS].

 <b>POSITRONIC INDUSTRIES INC.</b> www.connectpositronic.com		SCALE <b>N.T.S.</b>		DRAWN BY <b>YK</b>	
DECIMAL TOL. <b>±0.015 [0.38]</b>		<b>RD SERIES</b>		APPROVED BY	
<b>FC6020DAL</b>					
ANGULAR TOL. <b>±5°</b>		DATE <b>1-31-05</b>		DRAWING NUMBER <b>SK5960</b>	
				REV. <b>NC</b>	