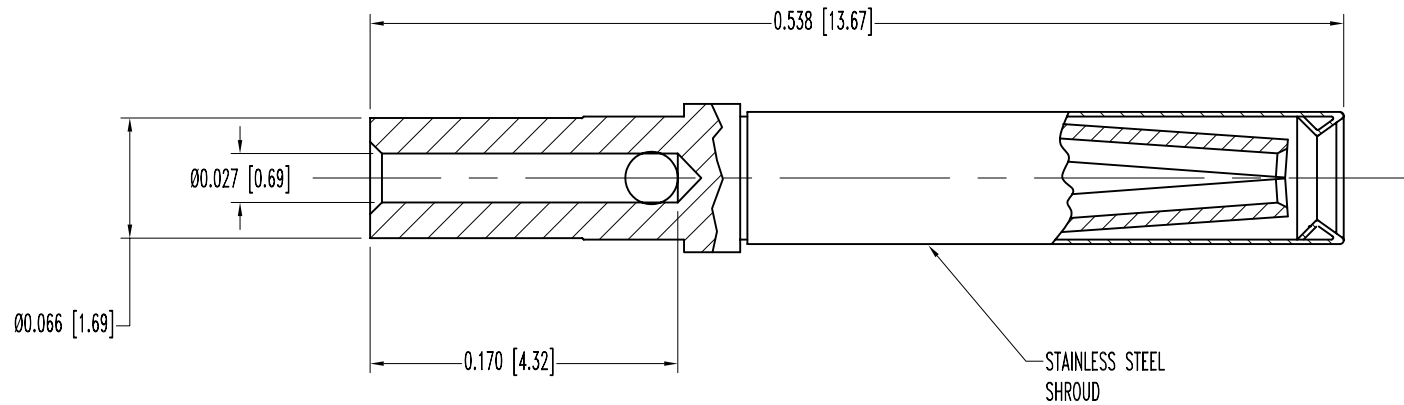


SK7528

POSITRONIC INDUSTRIES BELIEVES THE DATA ON THIS DRAWING TO BE RELIABLE. SINCE THE TECHNICAL INFORMATION IS GIVEN FREE OF CHARGE, THE USER EMPLOYS SUCH INFORMATION AT HIS OWN DISCRETION AND RISK. POSITRONIC INDUSTRIES ASSUMES NO RESPONSIBILITY FOR RESULTS OBTAINED OR DAMAGES INCURRED FROM USE OF SUCH INFORMATION IN WHOLE OR IN PART.

DATE	REV	REVISION RECORD	APP	DR	CK
6-5-06	NC	ECO 26077		YK	



NOTES:

- MATERIAL & FINISHES:
CONTACT: LEADED NICKEL COPPER WITH STAINLESS STEEL SHROUD GOLD FLASH OVER NICKEL PLATE.
- CONNECTORS ARE ROHS COMPLIANT PER ROHS DIRECTIVE 2002/95/EC OF 27 JAN 2003.
- DIMENSIONS ARE IN INCHES [MILLIMETERS].

 POSITRONIC INDUSTRIES INC. www.connectpositronic.com		SCALE		DRAWN BY	
 DECIMAL TOL. $\pm 0.015 [0.38]$		RD SERIES		N.T.S.	
 ANGULAR TOL. $\pm 5^\circ$		DATE		REV.	
		6-5-06		YK	
		DRAWING NUMBER		APPROVED BY	
		SK7528		FC6026D/AA	