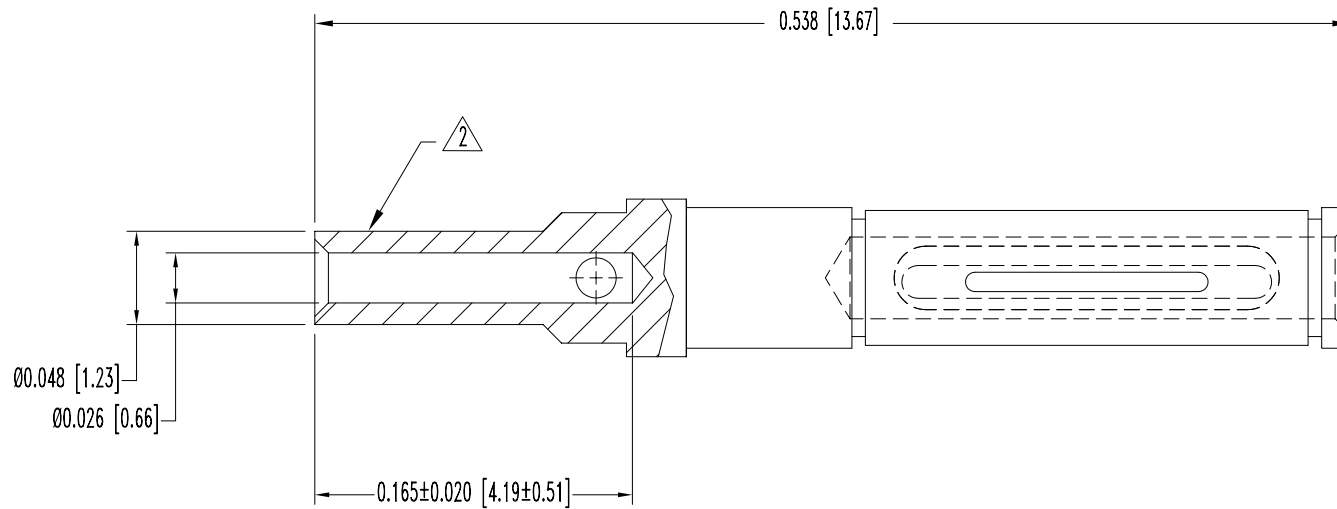



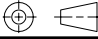
SK8876

POSITRONIC INDUSTRIES BELIEVES THE DATA ON THIS DRAWING TO BE RELIABLE. SINCE THE TECHNICAL INFORMATION IS GIVEN FREE OF CHARGE, THE USER EMPLOYS SUCH INFORMATION AT HIS OWN DISCRETION AND RISK. POSITRONIC INDUSTRIES ASSUMES NO RESPONSIBILITY FOR RESULTS OBTAINED OR DAMAGES INCURRED FROM USE OF SUCH INFORMATION IN WHOLE OR IN PART.

DATE	REV	REVISION RECORD	APP	DR	CK
8-23-07	NC	ECO 28353	RCW	YK	TK



- NOTES:
1. MATERIAL AND FINISHES:
CONTACT: CHROMEL.
SPRING CLIP: BERYLLIUM COPPER, GOLD FLASH OVER NICKEL PLATE.
 2. PERMANENTLY MARK CONTACT WITH A WHITE IDENTIFICATION BAND.
 3. DIMENSIONS ARE IN INCHES [MILLIMETERS].

 POSITRONIC INDUSTRIES INC. www.connectpositronic.com		FSCM 28198	
 DECIMAL TOL. ± 0.015 [0.38]	RD SERIES	SCALE N.T.S.	DRAWN BY YK
	APPROVED BY RCW		
	TITLE FC6026DCH		
ANGULAR TOL. ± 5°	DATE 8-23-07	DRAWING NUMBER SK8876	REV. NC