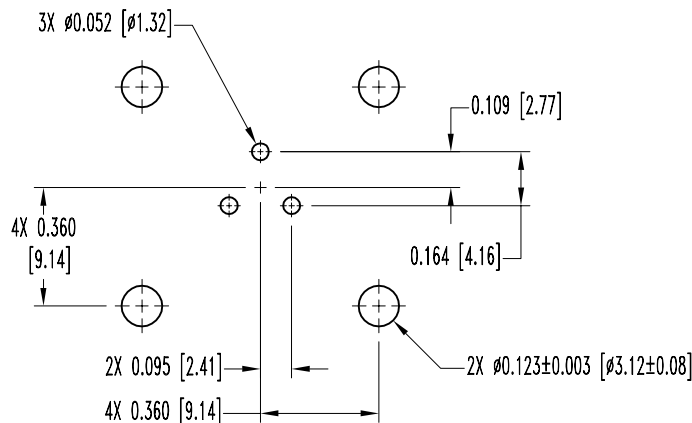
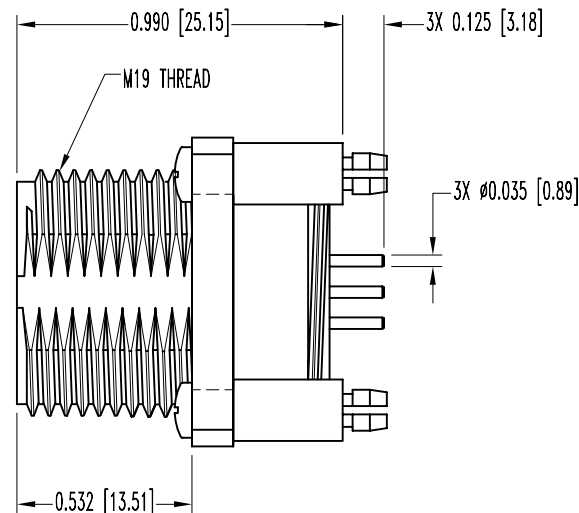
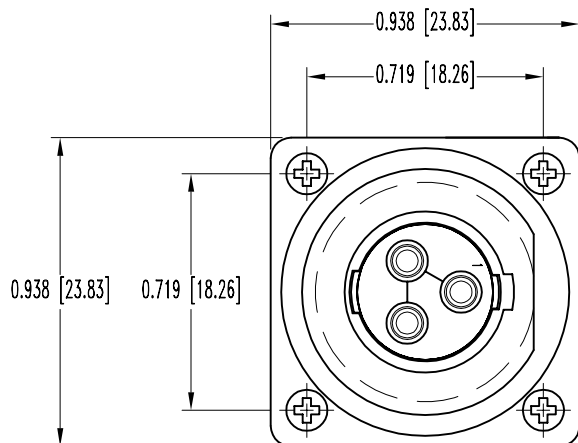


SK4657

POSITRONIC INDUSTRIES BELIEVES THE DATA ON THIS DRAWING TO BE RELIABLE. SINCE THE TECHNICAL INFORMATION IS GIVEN FREE OF CHARGE, THE USER EMPLOYS SUCH INFORMATION AT HIS OWN DISCRETION AND RISK. POSITRONIC INDUSTRIES ASSUMES NO RESPONSIBILITY FOR RESULTS OBTAINED OR DAMAGES INCURRED FROM USE OF SUCH INFORMATION IN WHOLE OR IN PART.

DATE	REV	REVISION RECORD	APP	DR	CK
9-25-02	NC	ECO 20068		ME	



CONTACT HOLE PATTERN

NOTES:

- MATERIALS AND FINISHES:
 INSULATOR INSERT: GLASS-FILLED DAP, TYPE SDG-F, BLACK COLOR, UL 94V-0.
 CONTACTS: COPPER ALLOY WITH GOLD FLASH OVER NICKEL.
 HOUSING: GLASS-FILLED POLYESTER, BLACK COLOR, UL 94V-0.
 PUSH-ON FASTENERS: PHOSPHOR BRONZE, TIN PLATE.
- ELECTRICAL CHARACTERISTICS:
 NOMINAL CONTACT CURRENT RATING: 13 AMPERES.
 INITIAL CONTACT RESISTANCE, MAXIMUM: 0.003 OHMS PER IEC 512-2, TEST 2b.
 INSULATOR RESISTANCE: 5 G OHMS PER IEC 512-2, TEST 3a, METHOD A.
 WORKING TEMPERATURE: -55°C TO +125°C.
- MOS 1554.0 ALLOWS FOR CONNECTOR, WITH RECEPTACLE SHELL ONLY, TO BE SUPPLIED WITH STRAIGHT DIP SOLDER CONTACTS THAT ALLOW FOR A 0.125 [3.18] TAIL LENGTH. PUSH FASTENERS INCLUDED.
- DIMENSIONS ARE IN INCHES [MILLIMETERS].

	POSITRONIC INDUSTRIES INC. www.connectpositronic.com		SCALE	DRAWN BY
	FRONT RUNNER SERIES		N.T.S.	M. ENEA
DECIMAL TOL. ± 0.015 [0.38]	TITLE		APPROVED BY	
WF # 4822	FR11FF316K0-1554.0			
ANGULAR TOL. ± 5°	DATE	DRAWING NUMBER	REV.	
	9-25-02	SK4657	NC	