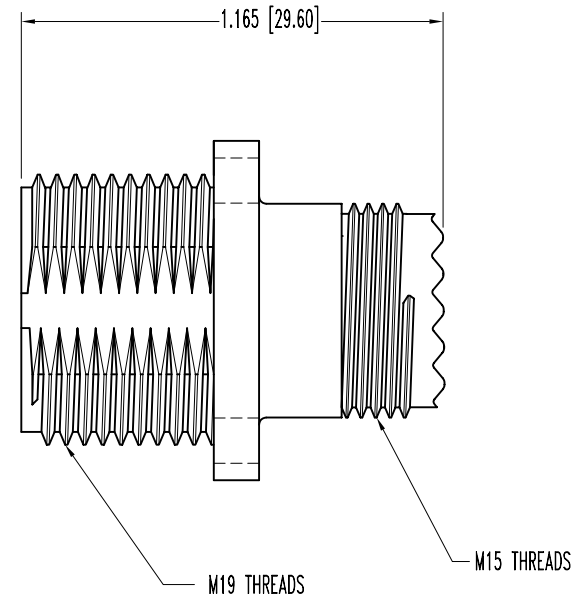
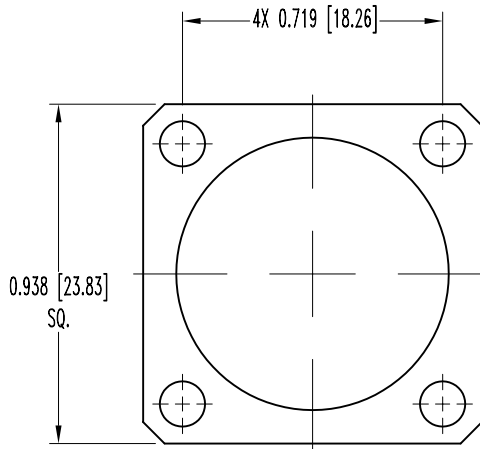
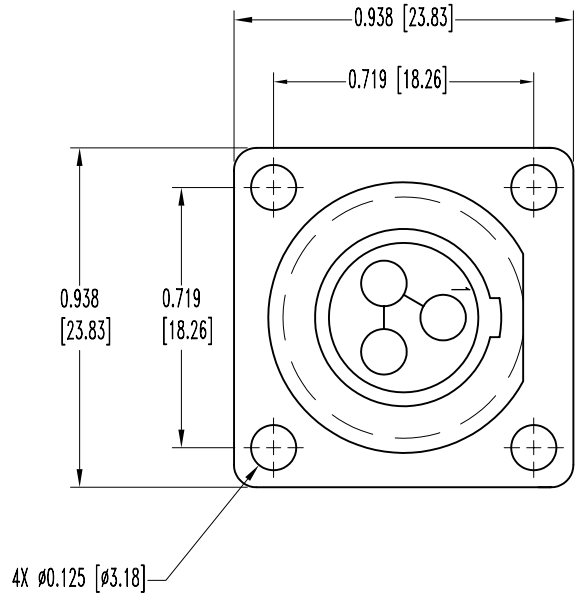


SK7588

POSITRONIC INDUSTRIES BELIEVES THE DATA ON THIS DRAWING TO BE RELIABLE, SINCE THE TECHNICAL INFORMATION IS GIVEN FREE OF CHARGE, THE USER EMPLOYS SUCH INFORMATION AT HIS OWN DISCRETION AND RISK. POSITRONIC INDUSTRIES ASSUMES NO RESPONSIBILITY FOR RESULTS OBTAINED OR DAMAGES INCURRED FROM USE OF SUCH INFORMATION IN WHOLE OR IN PART.

DATE	REV	REVISION RECORD	APP	DR	CK
6-14-06	NC	ECO 26155		YK	



ENVIRONMENTAL GASKET

NOTES:

- MATERIALS AND FINISHES:
 INSULATOR INSERT: GLASS-FILLED DAP, TYPE SDG-F, BLACK COLOR, UL 94V-0.
 SHELL, RECEPTACLE: GLASS FILLED POLYESTER, BLACK.
 ENVIRONMENTAL GASKET: NEOPRENE SHEET, 0.030 [0.76] THICK.
 O-RING: THERMOPLASTIC ELASTOMER.
- ELECTRICAL CHARACTERISTICS:
 INSULATOR RESISTANCE: 5 G OHMS PER IEC 512-2, TEST 3a, METHOD A.
 WORKING VOLTAGE: 100V RMS.
 CREEPAGE AND CLEARANCE DISTANCE: 0.063 [1.6].
- WORKING TEMPERATURE: -55°C TO +125°C.
- DIMENSIONS ARE IN INCHES [MILLIMETERS].

 POSITRONIC INDUSTRIES INC. www.connectpositronic.com		SCALE: N.T.S. DRAWN BY: YK APPROVED BY:	
DECIMAL TOL. ± 0.015 [0.38]		FRONT RUNNER SERIES TITLE: FR11FF316L0	
DATE: 6-14-06		DRAWING NUMBER: SK7588	
ANGULAR TOL. ± 5°		REV. NC	