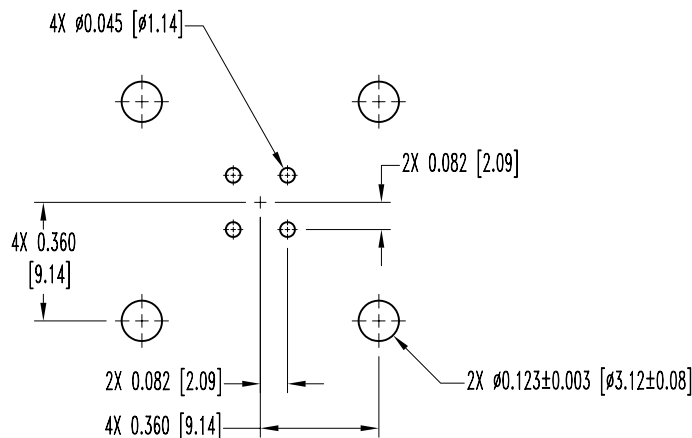
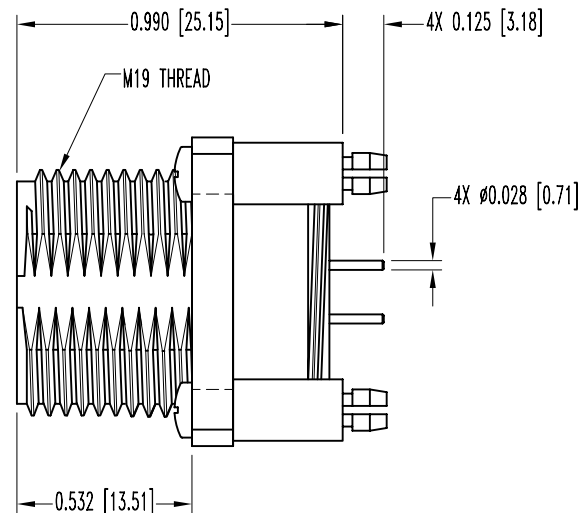
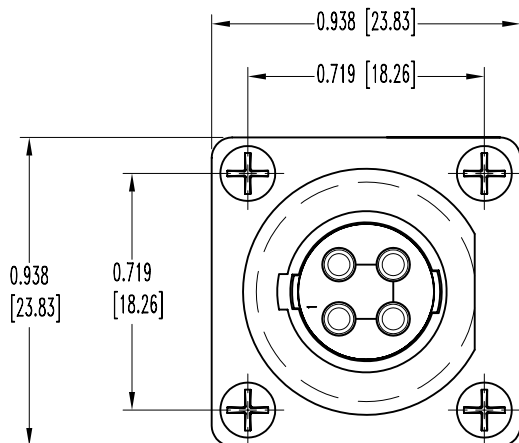


POSITRONIC INDUSTRIES BELIEVES THE DATA ON THIS DRAWING TO BE RELIABLE. SINCE THE TECHNICAL INFORMATION IS GIVEN FREE OF CHARGE, THE USER EMPLOYS SUCH INFORMATION AT HIS OWN DISCRETION AND RISK. POSITRONIC INDUSTRIES ASSUMES NO RESPONSIBILITY FOR RESULTS OBTAINED OR DAMAGES INCURRED FROM USE OF SUCH INFORMATION IN WHOLE OR IN PART.

DATE	REV	REVISION RECORD	APP	DR	CK
11-5-04	NC	ECO 23226		YK	



NOTES:

1. MATERIALS AND FINISHES:

- INSULATOR INSERT: GLASS-FILLED DAP, TYPE SDG-F, BLACK COLOR, UL 94V-0.
- CONTACTS: COPPER ALLOY WITH GOLD FLASH OVER NICKEL.
- HOUSING: GLASS-FILLED POLYESTER, BLACK COLOR, UL 94V-0.
- PUSH-ON FASTENERS: PHOSPHOR BRONZE, TIN PLATE.
- SCREWS: STEEL, ZINC PLATE WITH DICHROMATE SEAL.

2. ELECTRICAL CHARACTERISTICS:


- NOMINAL CONTACT CURRENT RATING: 7.5 AMPERES.
- INITIAL CONTACT RESISTANCE, MAXIMUM: 0.007 OHMS PER IEC 512-2, TEST 2b.
- INSULATOR RESISTANCE: 5 G OHMS PER IEC 512-2, TEST 3a, METHOD A.
- WORKING VOLTAGE: 250 V RMS.

3. WORKING TEMPERATURE:-55°C TO +125°C.

4. THIS MOS ALLOWS FOR CONNECTOR WITH FIXED FLANGE MOUNT RECEPTACLE SHELL ONLY, TO BE SUPPLIED WITH STRAIGHT DIP SOLDER CONTACTS THAT ALLOW FOR A 0.125 [3.18] TAIL LENGTH. PUSH FASTENERS INCLUDED.

5. DIMENSIONS ARE IN INCHES [MILLIMETERS].

CONTACT HOLE PATTERN

 <b>POSITRONIC INDUSTRIES INC.</b> www.connectpositronic.com		SCALE <b>N.T.S.</b>		DRAWN BY <b>YK</b>	
DECIMAL TOL. <b>± 0.015 [0.38]</b>		FRONT RUNNER SERIES		APPROVED BY	
TITLE <b>FR11FF420K0-1554.0</b>					
DATE <b>11-5-04</b>		DRAWING NUMBER <b>SK5800</b>		REV. <b>NC</b>	