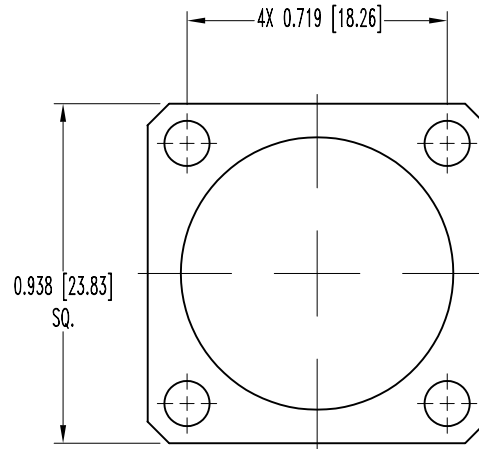
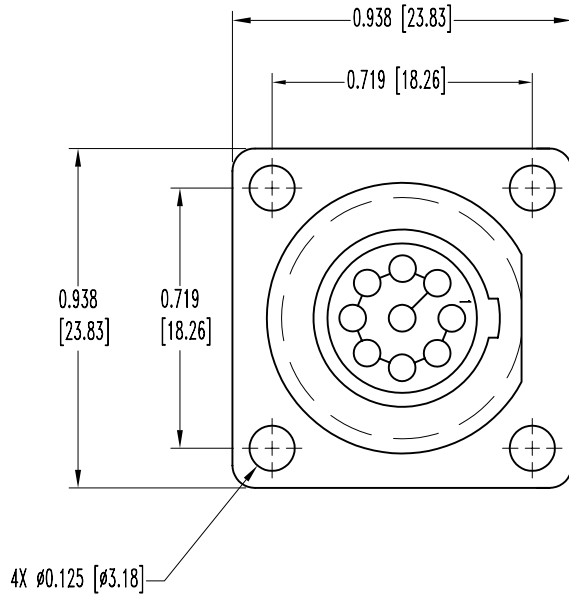


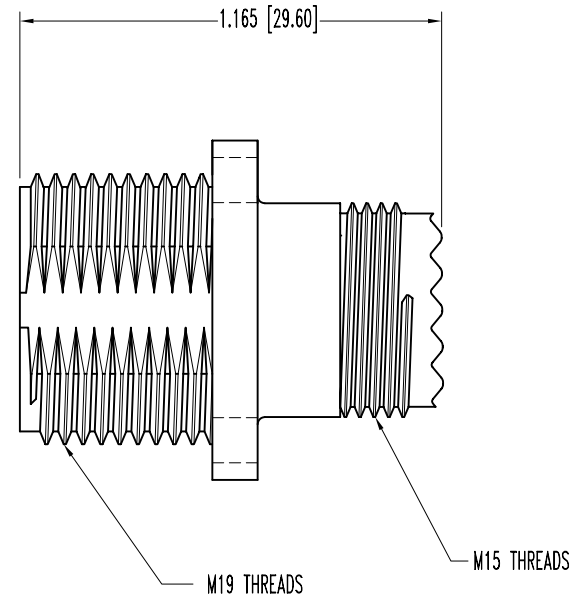
SK7590

POSITRONIC INDUSTRIES BELIEVES THE DATA ON THIS DRAWING TO BE RELIABLE. SINCE THE TECHNICAL INFORMATION IS GIVEN FREE OF CHARGE, THE USER EMPLOYS SUCH INFORMATION AT HIS OWN DISCRETION AND RISK. POSITRONIC INDUSTRIES ASSUMES NO RESPONSIBILITY FOR RESULTS OBTAINED OR DAMAGES INCURRED FROM USE OF SUCH INFORMATION IN WHOLE OR IN PART.

DATE	REV	REVISION RECORD	APP	DR	CK
6-14-06	NC	ECO 26155		YK	



ENVIRONMENTAL GASKET



NOTES:

- MATERIALS AND FINISHES:
INSULATOR INSERT: GLASS-FILLED DAP, TYPE SDG-F, BLACK COLOR, UL 94V-0.
SHELL, RECEPTACLE: GLASS FILLED POLYESTER, BLACK.
ENVIRONMENTAL GASKET: NEOPRENE SHEET, 0.030 [0.76] THICK.
O-RING: THERMOPLASTIC ELASTOMER.
- ELECTRICAL CHARACTERISTICS:
INSULATOR RESISTANCE: 5 G OHMS PER IEC 512-2, TEST 3a, METHOD A.
WORKING VOLTAGE: 100V RMS.
CREEPAGE AND CLEARANCE DISTANCE: 0.028 [0.7].
- WORKING TEMPERATURE: -55°C TO +125°C.
- DIMENSIONS ARE IN INCHES [MILLIMETERS].

 POSITRONIC INDUSTRIES INC. www.connectpositronic.com		FRONT RUNNER SERIES		SCALE N.T.S.	DRAWN BY YK
DECIMAL TOL. ± 0.015 [0.38]	TITLE FR11FF922L0				
ANGULAR TOL. $\pm 5^\circ$	DATE 6-14-06	DRAWING NUMBER SK7590	REV. NC		