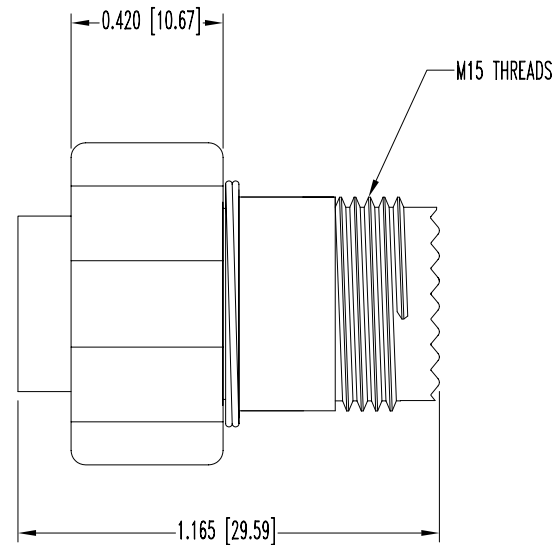
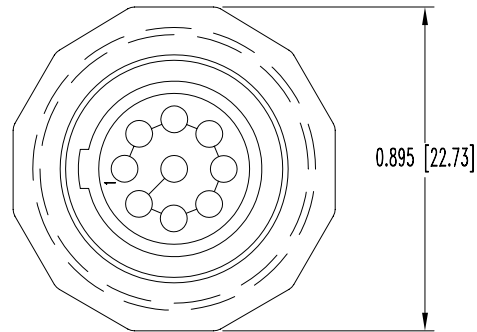


SK8389

POSITRONIC INDUSTRIES BELIEVES THE DATA ON THIS DRAWING TO BE RELIABLE. SINCE THE TECHNICAL INFORMATION IS GIVEN FREE OF CHARGE, THE USER EMPLOYS SUCH INFORMATION AT HIS OWN DISCRETION AND RISK. POSITRONIC INDUSTRIES ASSUMES NO RESPONSIBILITY FOR RESULTS OBTAINED OR DAMAGES INCURRED FROM USE OF SUCH INFORMATION IN WHOLE OR IN PART.

DATE	REV	REVISION RECORD	APP	DR	CK
3-7-07	NC	ECO 27582		YK	



NOTES:

1. MATERIAL AND FINISHES:

- INSULATOR INSERT: GLASS-FILLED DAP, TYPE SDG-F, UL 94V-0, BLACK COLOR.
- HOUSING AND NUT COUPLING: THERMOPLASTIC, ELECTROLESS NICKEL OVER COPPER PLATE.
- RETAINING RING: STAINLESS STEEL, PASSIVATED.

2. ELECTRICAL CHARACTERISTICS:

- INSULATOR RESISTANCE: 5 G OHMS PER IEC 512-2, TEST 3a, METHOD A.
- WORKING VOLTAGE: 100V RMS.
- CREEPAGE AND CLEARANCE DISTANCE: 0.028 [0.7].

3. WORKING TEMPERATURE: -55°C TO +125°C.

4. CONNECTORS ARE ROHS COMPLIANT PER ROHS DIRECTIVE 2002/95/EC OF 27 JAN 2003.

5. DIMENSIONS ARE IN INCHES [MILLIMETERS].

		<b>POSITRONIC INDUSTRIES INC.</b> www.connectpositronic.com	
	<b>FRONT RUNNER SERIES</b>	SCALE <b>N.T.S.</b>	DRAWN BY <b>YK</b>
DECIMAL TOL. $\pm 0.015$ [0.38]	TITLE <b>FR11FP922LM0/AA</b>		
ANGULAR TOL. $\pm 5^\circ$	DATE <b>3-7-07</b>	DRAWING NUMBER <b>SK8389</b>	REV. <b>NC</b>