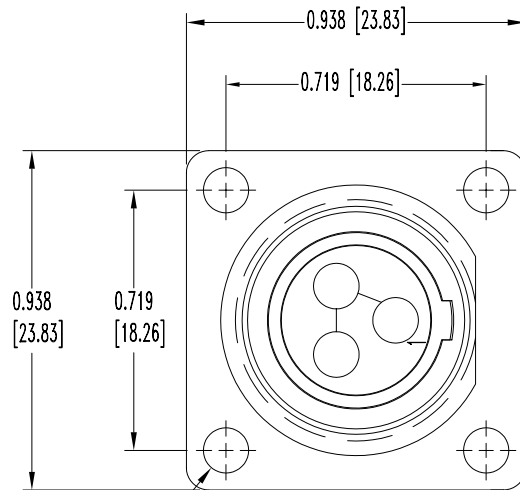


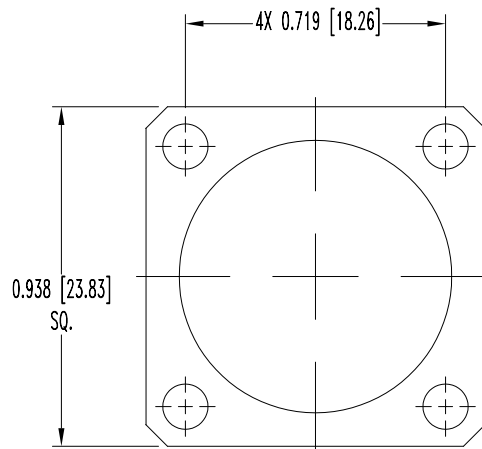
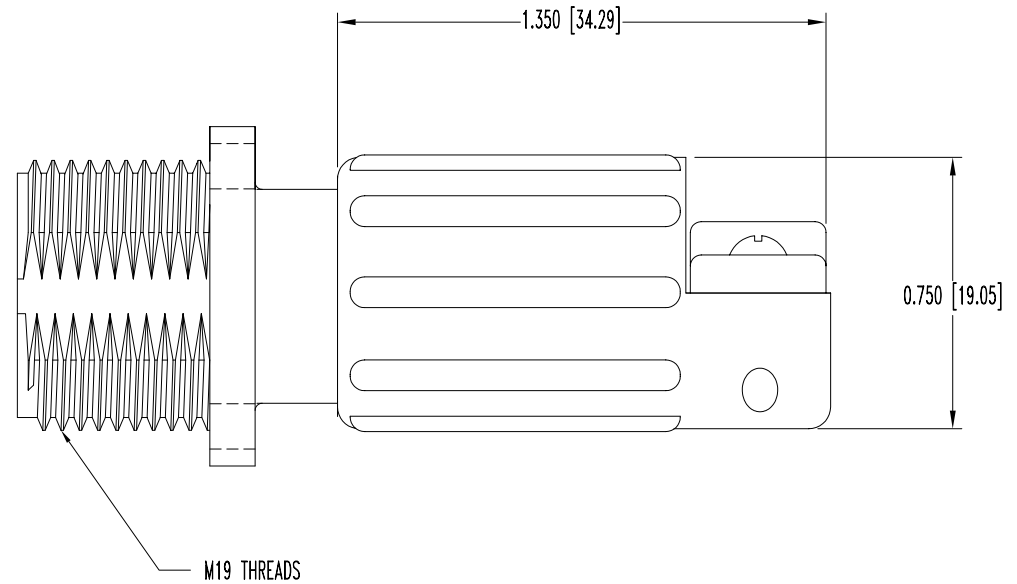
SK8602

POSITRONIC INDUSTRIES BELIEVES THE DATA ON THIS DRAWING TO BE RELIABLE. SINCE THE TECHNICAL INFORMATION IS GIVEN FREE OF CHARGE, THE USER EMPLOYS SUCH INFORMATION AT HIS OWN DISCRETION AND RISK. POSITRONIC INDUSTRIES ASSUMES NO RESPONSIBILITY FOR RESULTS OBTAINED OR DAMAGES INCURRED FROM USE OF SUCH INFORMATION IN WHOLE OR IN PART.

DATE	REV	REVISION RECORD	APP	DR	CK
5-29-07	NC	ECO 27955		YK	




4X $\varnothing 0.125$ [$\varnothing 3.18$]



ENVIRONMENTAL GASKET

NOTES:

- MATERIAL AND FINISHES:**
 INSULATOR INSERT: GLASS-FILLED DAP, TYPE SDG-F, UL 94V-0, BLACK COLOR.
 HOOD AND CABLE CLAMPS: GLASS-FILLED POLYESTER, BLACK COLOR, UL 94V-0.
 HOUSING: GLASS-FILLED POLYESTER, UL 94V-0, BLACK COLOR.
 ENVIRONMENTAL GASKET: NEOPRENE SHEET, 0.030 [0.76] THICK.
- ELECTRICAL CHARACTERISTICS:**
 INSULATOR RESISTANCE: 5 G OHMS PER IEC 512-2, TEST 3a, METHOD A.
- WORKING TEMPERATURE:** -55°C TO +125°C.
- DIMENSIONS ARE IN INCHES [MILLIMETERS].**

 POSITRONIC INDUSTRIES INC. www.connectpositronic.com		FSCM 28198	
FRONT RUNNER SERIES		SCALE N.T.S.	DRAWN BY YK
DECIMAL TOL. ± 0.015 [0.38]		APPROVED BY	
TITLE FR11MF316L4			
DATE 5-29-07		DRAWING NUMBER SK8602	
ANGULAR TOL. ± 5°		REV. NC	