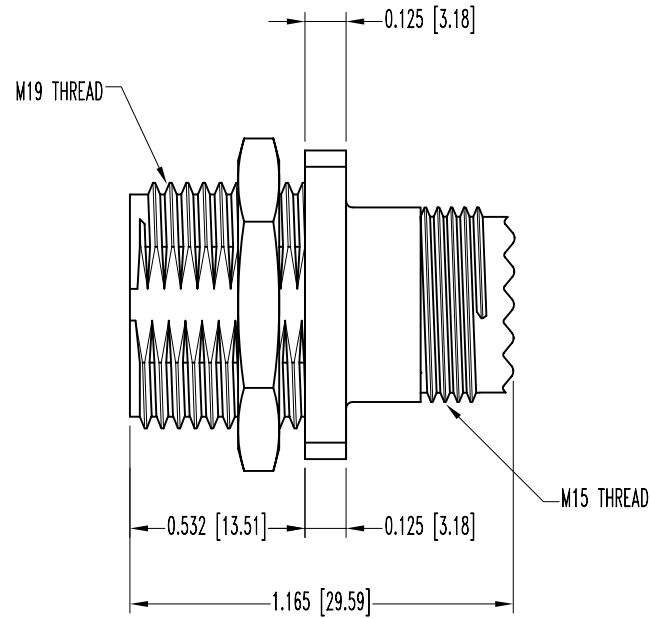
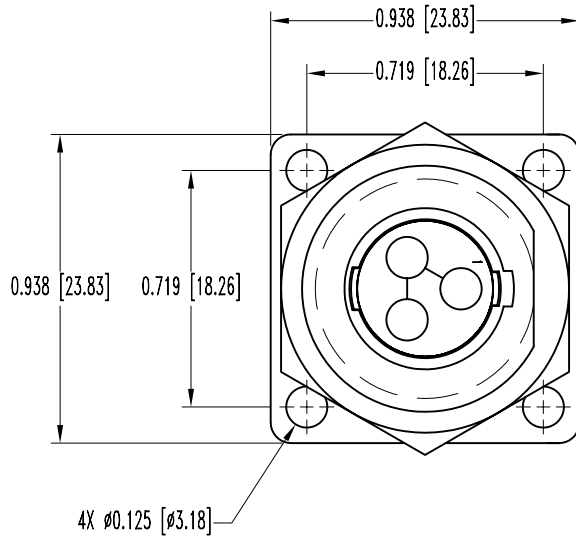


SK6366

POSITRONIC INDUSTRIES BELIEVES THE DATA ON THIS DRAWING TO BE RELIABLE. SINCE THE TECHNICAL INFORMATION IS GIVEN FREE OF CHARGE, THE USER EMPLOYS SUCH INFORMATION AT HIS OWN DISCRETION AND RISK. POSITRONIC INDUSTRIES ASSUMES NO RESPONSIBILITY FOR RESULTS OBTAINED OR DAMAGES INCURRED FROM USE OF SUCH INFORMATION IN WHOLE OR IN PART.

DATE	REV	REVISION RECORD	APP	DR	CK
7-25-05	NC	ECO 24393		YK	



NOTES:

ES:

INSULATOR INSERT: GLASS-FILLED DAP, TYPE SDG-F, BLACK COLOR, UL 94V-0.
HOUSING: GLASS-FILLED POLYESTER, BLACK COLOR, UL 94V-0.

O-RING: T.P.E.
GASKET FLANGE: NEOPRENE SHEET.

INSULATOR RESISTANCE: 5 G OHMS PER IEC 512-2, TEST 3a, METHOD A.

3. DIMENSIONS ARE IN IN.

		POSITRONIC INDUSTRIES INC. www.connectpositronic.com	
		FRONT RUNNER SERIES	SCALE N.T.S.
DECIMAL TOL. ± 0.015 [0.38]	TITLE FR11MJ316L0		
ANGULAR TOL. ± 5°	DATE 7-25-05	DRAWING NUMBER SK6366	REV. NC