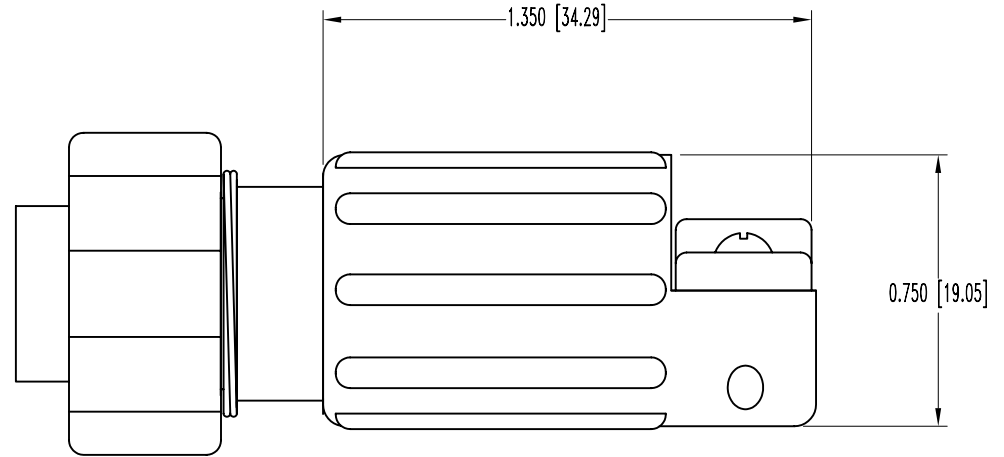
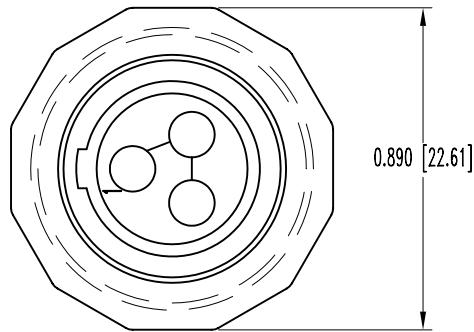


SK7587

POSITRONIC INDUSTRIES BELIEVES THE DATA ON THIS DRAWING TO BE RELIABLE. SINCE THE TECHNICAL INFORMATION IS GIVEN FREE OF CHARGE, THE USER EMPLOYS SUCH INFORMATION AT HIS OWN DISCRETION AND RISK. POSITRONIC INDUSTRIES ASSUMES NO RESPONSIBILITY FOR RESULTS OBTAINED OR DAMAGES INCURRED FROM USE OF SUCH INFORMATION IN WHOLE OR IN PART.

DATE	REV	REVISION RECORD	APP	DR	CK
6-13-06	NC	ECO 26155		YK	



NOTES:

- MATERIAL AND FINISHES:  
 INSULATOR INSERT: GLASS-FILLED DAP, TYPE SDG-F, UL 94V-0, BLACK COLOR.  
 HOOD AND CABLE CLAMPS: GLASS-FILLED POLYESTER, BLACK COLOR, UL 94V-0.  
 HOUSING AND COUPLING NUT: GLASS-FILLED POLYESTER, UL 94V-0, BLACK COLOR.
- ELECTRICAL CHARACTERISTICS:  
 INSULATOR RESISTANCE: 5 G OHMS PER IEC 512-2, TEST 3a, METHOD A.  
 WORKING VOLTAGE: 300V RMS.  
 CREEPAGE AND CLEARANCE DISTANCE: 0.063 [1.6].
- WORKING TEMPERATURE: -55°C TO +125°C.
- DIMENSIONS ARE IN INCHES [MILLIMETERS].

		<b>POSITRONIC INDUSTRIES INC.</b> www.connectpositronic.com	
		FRONT RUNNER SERIES	SCALE N.T.S.
DECIMAL TOL. ± 0.015 [0.38]	TITLE FR11MP316L4		
ANGULAR TOL. ± 5°	DATE 6-13-06	DRAWING NUMBER SK7587	REV. NC