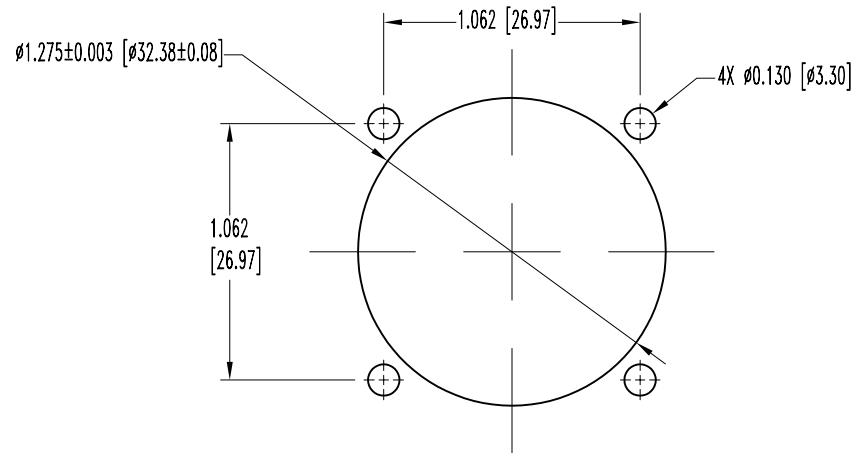
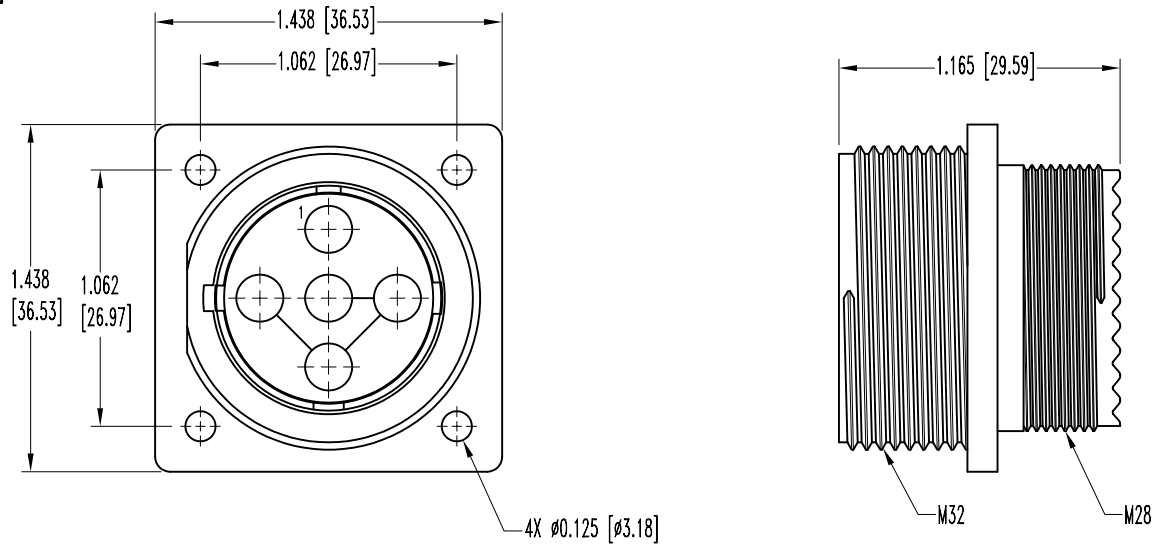


SK5640

POSITRONIC INDUSTRIES BELIEVES THE DATA ON THIS DRAWING TO BE RELIABLE. SINCE THE TECHNICAL INFORMATION IS GIVEN FREE OF CHARGE, THE USER EMPLOYS SUCH INFORMATION AT HIS OWN DISCRETION AND RISK. POSITRONIC INDUSTRIES ASSUMES NO RESPONSIBILITY FOR RESULTS OBTAINED OR DAMAGES INCURRED FROM USE OF SUCH INFORMATION IN WHOLE OR IN PART.

DATE	REV	REVISION RECORD	APP	DR	CK
8-30-04	NC	ECO 22933		YK	



PANEL CUTOUT

NOTES:

- MATERIALS AND FINISHES:
INSULATOR INSERT: GLASS-FILLED DAP, TYPE SDG-F, BLACK COLOR, UL 94V-0.
HOUSING: THERMOPLASTIC, ELECTROLESS NICKEL OVER COPPER PLATE.
- ELECTRICAL CHARACTERISTICS:
INSULATOR RESISTANCE: 5 G OHMS PER IEC 512-2, TEST 3a, METHOD A.
WORKING VOLTAGE: 400V RMS.
- WORKING TEMPERATURE: -55°C TO +125°C.
- DIMENSIONS ARE IN INCHES [MILLIMETERS].

		POSITRONIC INDUSTRIES INC. www.connectpositronic.com	
		FRONT RUNNER SERIES	SCALE N.T.S.
DECIMAL TOL. ± 0.015 [0.38]	TITLE FR19FF512M0		
ANGULAR TOL. ± 5°	DATE 8-30-04	DRAWING NUMBER SK5640	REV. NC