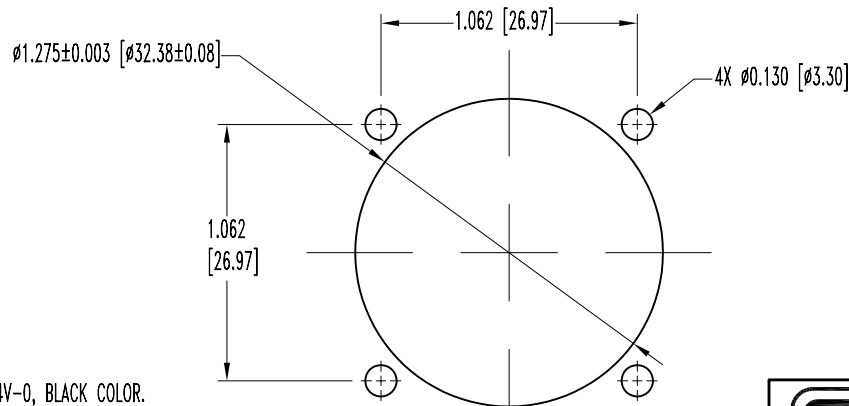
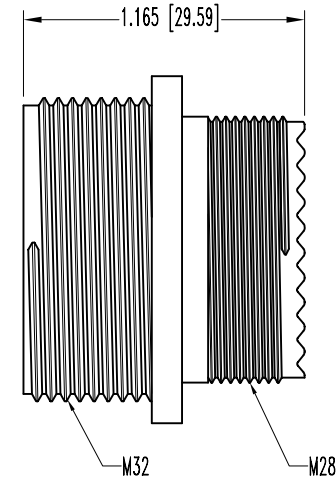
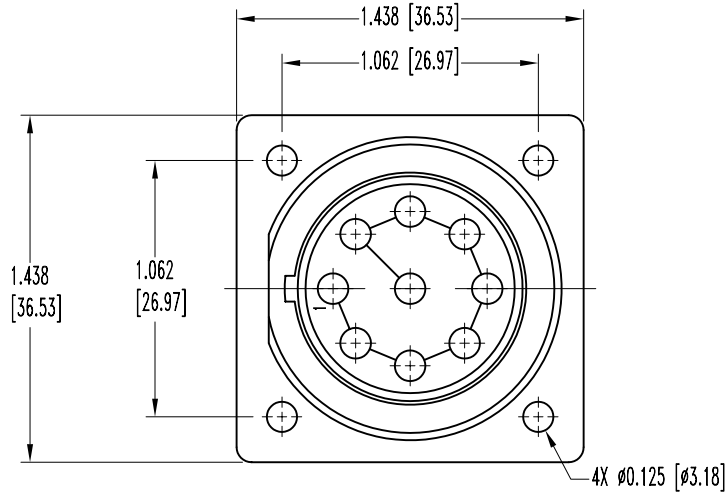


SK3171

POSITRONIC INDUSTRIES BELIEVES THE DATA ON THIS DRAWING TO BE RELIABLE. SINCE THE TECHNICAL INFORMATION IS GIVEN FREE OF CHARGE, THE USER EMPLOYS SUCH INFORMATION AT HIS OWN DISCRETION AND RISK. POSITRONIC INDUSTRIES ASSUMES NO RESPONSIBILITY FOR RESULTS OBTAINED OR DAMAGES INCURRED FROM USE OF SUCH INFORMATION IN WHOLE OR IN PART.


DATE	REV	REVISION RECORD	APP	DR	CK
7-15-99	NC	ECO 15351	RCW	JLG	TK
3-15-04	A	ECO 22147		YK	



PANEL CUTOUT

NOTES:

- MATERIAL AND FINISHES:
INSULATOR INSERT: GLASS-FILLED DAP, TYPE SDG-F, UL 94V-0, BLACK COLOR.
HOUSING: THERMOPLASTIC, ELECTROLESS NICKEL OVER COPPER PLATE.
- ELECTRICAL CHARACTERISTICS:
CONTACT CURRENT RATING: 13 AMPS NOMINAL.
INITIAL CONTACT RESISTANCE: 0.003 OHMS MAXIMUM, PER IEC 512-2, TEST 2b.
INSULATOR RESISTANCE: 5 G OHMS PER IEC 512-2, TEST 3a, METHOD A.
WORKING VOLTAGE: 400V RMS.
CREEPAGE: 0.118 [3.00] MINIMUM CREEPAGE.
- WORKING TEMPERATURE: -55°C TO +125°C.
- DIMENSIONS ARE IN INCHES [MILLIMETERS].

 POSITRONIC INDUSTRIES INC. www.connectpositronic.com		SCALE	DRAWN BY
		N.T.S.	J. GREEN
DECIMAL TOL. ± 0.015 [0.38]		TITLE	APPROVED BY
		RCW	
		FR19FF916M0	
ANGULAR TOL.	DATE	DRAWING NUMBER	REV.
$\pm 5^\circ$	7-15-99	SK3171	A