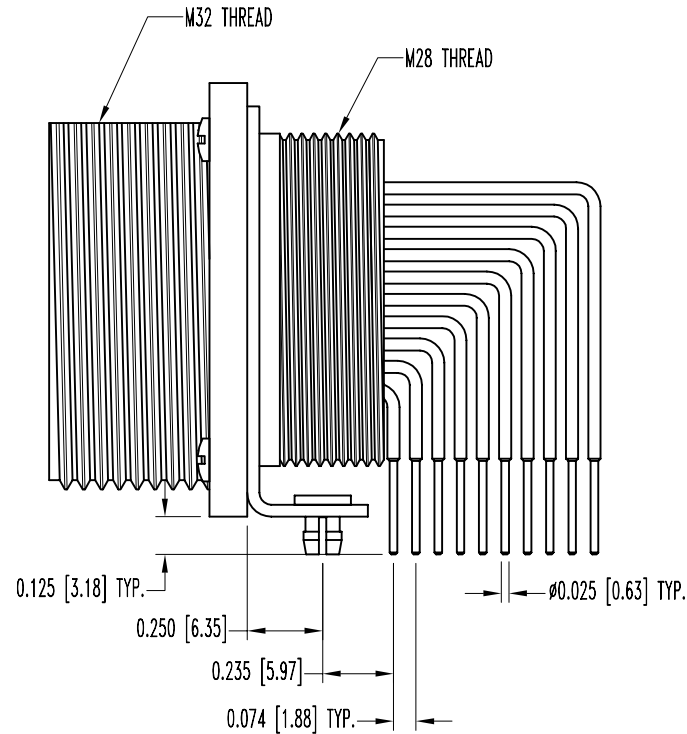
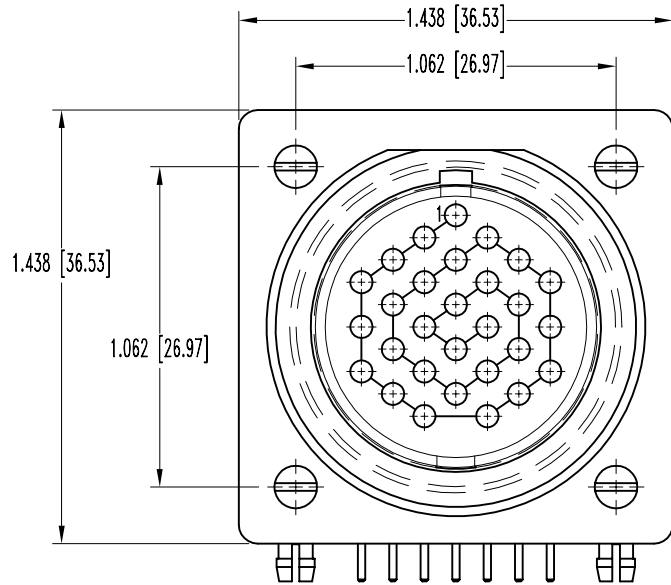


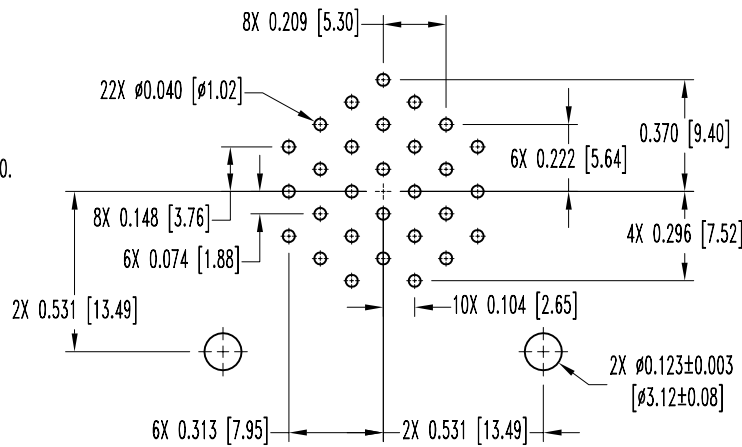
POSITRONIC INDUSTRIES BELIEVES THE DATA ON THIS DRAWING TO BE RELIABLE. SINCE THE TECHNICAL INFORMATION IS GIVEN FREE OF CHARGE, THE USER EMPLOYS SUCH INFORMATION AT HIS OWN DISCRETION AND RISK. POSITRONIC INDUSTRIES ASSUMES NO RESPONSIBILITY FOR RESULTS OBTAINED OR DAMAGES INCURRED FROM USE OF SUCH INFORMATION IN WHOLE OR IN PART.

DATE	REV	REVISION RECORD	APP	DR	CK
3-7-03	NC	ECO 20680		JLG	



NOTES:

- MATERIALS AND FINISHES:
 INSULATOR INSERTS: GLASS-FILLED DAP, TYPE SDG-F, BLACK COLOR, UL 94V-0.
 HOUSING: GLASS-FILLED POLYESTER, BLACK COLOR, UL 94V-0.
 CONTACTS: COPPER ALLOY WITH GOLD FLASH OVER NICKEL.
- ELECTRICAL CHARACTERISTICS:
 NOMINAL CONTACT CURRENT RATING:
 SIZE 22: 5 AMPERES.
 INITIAL CONTACT RESISTANCE, MAXIMUM:
 SIZE 22: 0.012 OHMS PER IEC 512-2, TEST 2b.
 INSULATOR RESISTANCE:
 5 G OHMS PER IEC 512-2, TEST 3a, METHOD A.
 CREEPAGE AND CLEARANCE DISTANCE:
 0.051 [1.30] MINIMUM CREEPAGE FOR OPERATION AT 250V RMS.
- WORKING TEMPERATURE: -55°C TO +125°C.
- DIMENSIONS ARE IN INCHES [MILLIMETERS].



CONTACT HOLE PATTERN

	POSITRONIC INDUSTRIES INC. www.connectpositronic.com		SCALE	DRAWN BY
	FRONT RUNNER SERIES		N.T.S.	J. GREEN
DECIMAL TOL.	TITLE		APPROVED BY	
± 0.015 [0.38]	FR19FF2922K0-1553.0			
ANGULAR TOL.	DATE	DRAWING NUMBER	REV.	
± 5°	3-7-03	SK4939	NC	