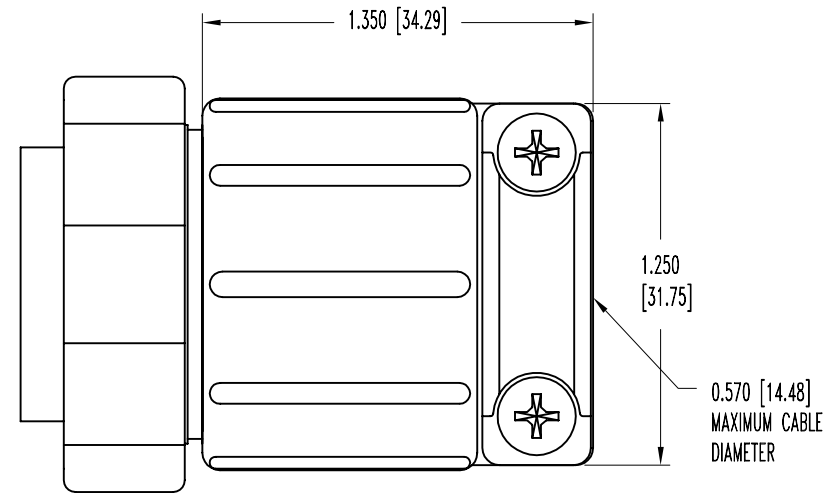
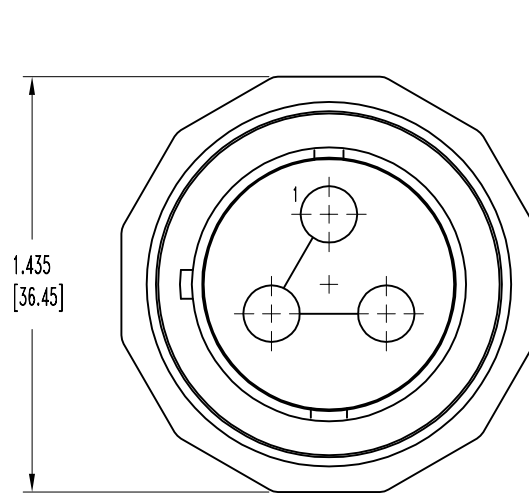


SK4895

POSITRONIC INDUSTRIES BELIEVES THE DATA ON THIS DRAWING TO BE RELIABLE, SINCE THE TECHNICAL INFORMATION IS GIVEN FREE OF CHARGE, THE USER EMPLOYS SUCH INFORMATION AT HIS OWN DISCRETION AND RISK. POSITRONIC INDUSTRIES ASSUMES NO RESPONSIBILITY FOR RESULTS OBTAINED OR DAMAGES INCURRED FROM USE OF SUCH INFORMATION IN WHOLE OR IN PART.

DATE	REV	REVISION RECORD	APP	DR	CK
1-17-03	NC	ECO 20459		ME	



NOTES:

1. MATERIALS AND FINISHES:

INSULATOR INSERT: GLASS-FILLED DAP, TYPE SDG-F, UL 94V-0, BLACK COLOR.  
HOUSING AND CABLE ADAPTERS: GLASS-FILLED POLYESTER, BLACK COLOR, UL 94V-0.

2. ELECTRICAL CHARACTERISTICS:

INSULATOR RESISTANCE: 5 G OHMS PER IEC 512-2, TEST 3a, METHOD A.  
WORKING VOLTAGE: 1,000V RMS.  
CREEPAGE DISTANCE: 0.197 [5.00] MINIMUM.

3. WORKING TEMPERATURE: -55°C TO +125°C.

4. DIMENSIONS ARE IN INCHES [MILLIMETERS].

		<b>POSITRONIC INDUSTRIES INC.</b> www.connectpositronic.com	
		<b>FRONT RUNNER SERIES</b>	SCALE <b>N.T.S.</b>
DECIMAL TOL. $\pm 0.015$ [0.38]	TITLE <b>FR19FP312K1</b>		
WF # 4996	DATE <b>1-17-03</b>	DRAWING NUMBER <b>SK4895</b>	REV. <b>NC</b>
ANGULAR TOL. $\pm 5^\circ$			