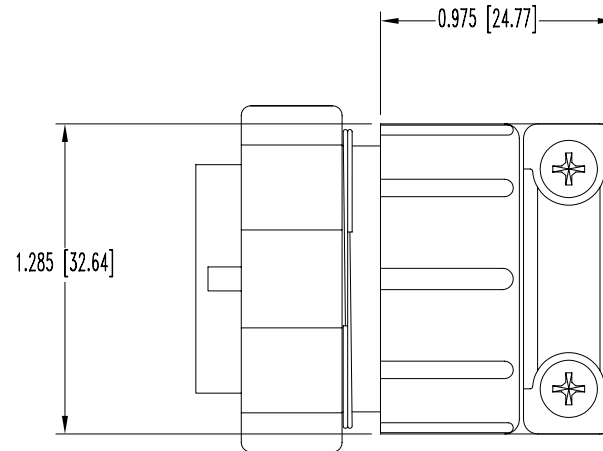
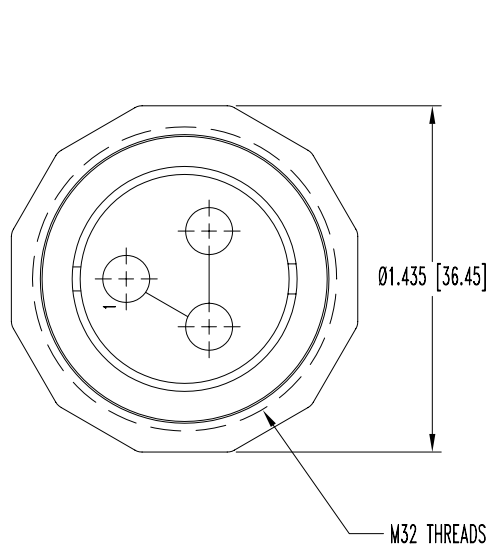


SK8703

POSITRONIC INDUSTRIES BELIEVES THE DATA ON THIS DRAWING TO BE RELIABLE. SINCE THE TECHNICAL INFORMATION IS GIVEN FREE OF CHARGE, THE USER EMPLOYS SUCH INFORMATION AT HIS OWN DISCRETION AND RISK. POSITRONIC INDUSTRIES ASSUMES NO RESPONSIBILITY FOR RESULTS OBTAINED OR DAMAGES INCURRED FROM USE OF SUCH INFORMATION IN WHOLE OR IN PART.

DATE	REV	REVISION RECORD	APP	DR	CK
6-29-07	NC	ECO 28114		YK	



NOTES:

1. MATERIALS AND FINISHES:

INSULATOR INSERT: GLASS-FILLED DAP, TYPE SDG-F, BLACK COLOR, UL 94V-0.
 HOUSING AND NUT COUPLING: GLASS FILLED POLYESTER, COLOR BLACK, UL 94V-0.
 HOOD AND CABLE CLAMPS: GLASS FILLED POLYESTER, COLOR BLACK, UL 94V-0.
 SCREWS: STAINLESS STEEL, PASSIVATED.

2. ELECTRICAL CHARACTERISTICS:

INSULATOR RESISTANCE: 5 G OHMS PER IEC 512-2, TEST 3a, METHOD A.
 WORKING VOLTAGE: 600V RMS.

3. WORKING TEMPERATURE: -55°C TO +125°C.

4. CONNECTORS ARE ROHS COMPLIANT PER ROHS DIRECTIVE 2002/95/EC OF 27 JAN 2003.

5. DIMENSIONS ARE IN INCHES [MILLIMETERS].

	POSITRONIC INDUSTRIES INC. www.connectpositronic.com		FSCM 28198
	FRONT RUNNER SERIES	SCALE N.T.S.	DRAWN BY YK
DECIMAL TOL. ± 0.015 [0.38]	TITLE FR19FP312K2/AA		
ANGULAR TOL. ± 5°	DATE 6-29-07	DRAWING NUMBER SK8703	REV. NC